

H 555

H 645

H 655



**IT** **Tosasiepi portatile a motore - MANUALE DI ISTRUZIONI**

ATTENZIONE: prima di usare la macchina, leggere attentamente il presente libretto.

**CS** **Přenosné motorové plotové nůžky - NÁVOD K POUŽITÍ**

UPOZORNĚNÍ: před použitím stroje si pozorně přečtete tento návod k použití.

**DA** **Bærbar motordreven Hækkeklipper - BRUGSANVISNING**

ADVARSEL: læs instruktionsbogen omhyggeligt igennem, før du tager denne maskine i brug.

**DE** **Tragbare motorbetriebene Heckenschere - GEBRAUCHSANWEISUNG**

ACHTUNG: vor Inbetriebnahme des geräts die gebrauchsanleitung aufmerksam lesen.

**EL** **Φορητό ψαλίδι μπόρντούρας βενζίνης - ΟΔΗΓΙΕΣ ΧΡΗΣΗΣ**

ΠΡΟΣΟΧΗ: πριν χρησιμοποιήσετε το μηχάνημα, διαβάστε προσεκτικά το παρόν εγχειρίδιο.

**EN** **Powered hand-held hedge trimmer - OPERATOR'S MANUAL**

WARNING: read thoroughly the instruction booklet before using the machine.

**ES** **Cortasetos portátil de motor - MANUAL DE INSTRUCCIONES**

ATENCIÓN: antes de utilizar la máquina, leer atentamente el presente manual.

**ET** **Kaasaskantav mootoriga hekilõikur - KASUTUSJUHEND**

TÄHELEPANU: enne masina kasutamist lugeda tähelepanelikult antud kasutusjuhendit.

**FI** **Käsin kannateltava moottorikäyttöinen pensasleikkuri**

KÄYTTÖOHJEET - VAROITUS: lue käyttöopas huolellisesti ennen koneen käyttöä.

**FR** **Taille-haie portatif à moteur - MANUEL D'UTILISATION**

ATTENTION: lire attentivement le manuel avant d'utiliser cette machine.

**HR** **Prijenosne motorne škare za živicu - PRIRUČNIK ZA UPORABU**

POZOR: prije uporabe stroja, pažljivo pročitajte ovaj priručnik.

**HU** **Hordozható motoros sóvénynyíró - HASZNÁLATI UTASÍTÁS**

FIGYELEM! a gép használatá előtt olvassa el figyelmesen a jelen kézikönyvet.

**LT** **Rankinės motorinės gyvatvorių žirklys - NAUDOJIMO INSTRUKCIJOS**

DĖMESIO: prieš naudojant įrenginį, atidžiai perskaityti šį naudotojo vadovą.

**LV** **Ar piedziņu aprīkotais rokturamais dzīvžoga apgriezējs**

LIETOŠANAS INSTRUKCIJA - UZMANĪBU: pirms aparāta lietošanai rūpīgi izlasiet doto instrukciju.

**MK** **Преносен потнаструвач - УПАТСТВА ЗА УПОТРЕБА**

ВНИМАНИЕ: прочитайте го внимателно ова упатство пред да ја користите машината.

**NL** **Draagbare heggeschaar met motor - GEBRUIKERSHANDLEIDING**

LET OP: vooraleer de machine te gebruiken, dient men deze handleiding aandachtig te lezen.

**NO** **Bærbar motordrevet heksesaks - INSTRUKSJONSBOK**

ADVARSEL: les denne bruksanvisningen nøye før du bruker maskinen.

**PL** **Ręczny sekator spalinowy - INSTRUKCJE OBSŁUGI**

OSTRZEŻENIE: przed użyciem maszyny, należy uważnie przeczytać niniejszą instrukcję.

**PT** **Corta-sebes portátil motorizado - MANUAL DE INSTRUÇÕES**

ATENÇÃO: antes de usar a máquina, leia atentamente o presente manual.

**RU** **Портативные моторизованные шпалерные ножницы**

РУКОВОДСТВО ПО ЭКСПЛУАТАЦИИ - ВНИМАНИЕ: прежде чем пользоваться оборудованием, внимательно прочтите это руководство по эксплуатации.

**SL** **Prenosni motorni rezalnik grmičevja - PRIROČNIK ZA UPORABO**

POZOR: preden uporabite stroj, pazljivo preberite priročnik z navodili.

**SV** **Motordrivna handhållna häcksaxar - BRUKSANVISNING**

WARNING: läs igenom hela detta häfte innan du använder maskinen.

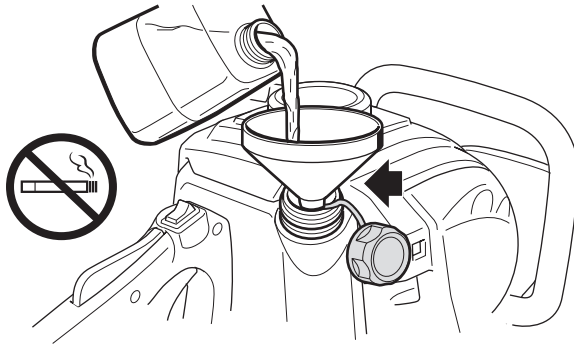
**TR** **Motorlu elde taşınabilir çit budama makinesi - KULLANIM KILAVUZU**

DİKKAT: makineyi kullanmadan önce talimatlar içeren kilavuzu dikkatle okuyun.

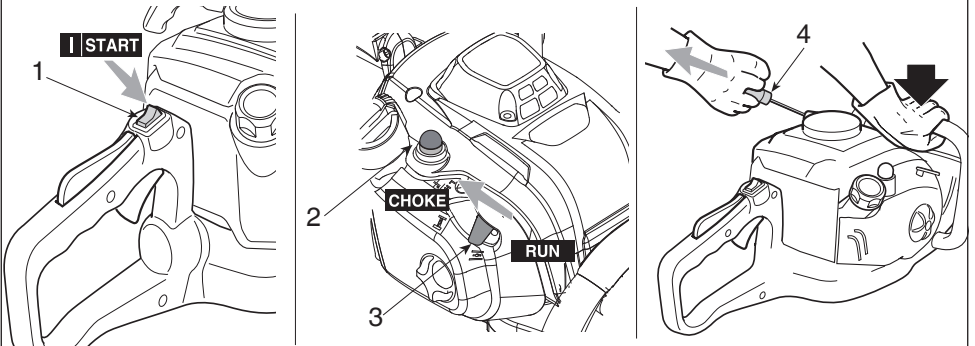


ITALIANO - Istruzioni Originali .....	<b>IT</b>
БЪЛГАРСКИ - Превод на оригиналните инструкции .....	<b>BG</b>
BOSANSKI - Prijevod originalnih uputa .....	<b>BS</b>
ČESKY - Překlad původního návodu k používání .....	<b>CS</b>
DANSK - Oversættelse af den originale brugsanvisning .....	<b>DA</b>
DEUTSCH - Übersetzung der Originalbetriebsanleitung .....	<b>DE</b>
ΕΛΛΗΝΙΚΑ - Μετάφραση του πρωτοτύπου των οδηγιών χρήσης .....	<b>EL</b>
ENGLISH - Translation of the original instruction .....	<b>EN</b>
ESPAÑOL - Traducción del Manual Original .....	<b>ES</b>
EESTI - Algupärase kasutusjuhendi tõlge .....	<b>ET</b>
SUOMI - Alkuperäisten ohjeiden käännös .....	<b>FI</b>
FRANÇAIS - Traduction de la notice originale .....	<b>FR</b>
HRVATSKI - Prijevod originalnih uputa .....	<b>HR</b>
MAGYAR - Eredeti használati utasítás fordítása .....	<b>HU</b>
LIETUVIŠKAI - Originalių instrukcijų vertimas .....	<b>LT</b>
LATVIEŠU - Instrukciju tulkojums no oriģinālvalodas .....	<b>LV</b>
МАКЕДОНСКИ -Превод на оригиналните упатства .....	<b>MK</b>
NEDERLANDS - Vertaling van de oorspronkelijke gebruiksaanwijzing .....	<b>NL</b>
NORSK - Oversettelse av original bruksanvisning .....	<b>NO</b>
POLSKI - Tłumaczenie instrukcji oryginalnej .....	<b>PL</b>
PORTUGUÊS - Tradução do manual original .....	<b>PT</b>
ROMÂN - Traducerea manualului fabricantului .....	<b>RO</b>
РУССКИЙ - Перевод оригинальных инструкций .....	<b>RU</b>
SLOVENŠČINA - Prevod izvirnih navodil .....	<b>SL</b>
SLOVENSKY - Preklad pôvodného návodu na použitie .....	<b>SK</b>
SRPSKI - Prevod originalnih uputstva .....	<b>SR</b>
SVENSKA - Översättning av bruksanvisning i original .....	<b>SV</b>
TÜRKÇE - Orijinal Talimatların Tercümesi .....	<b>TR</b>

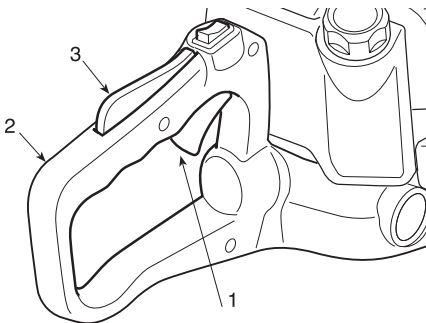
1



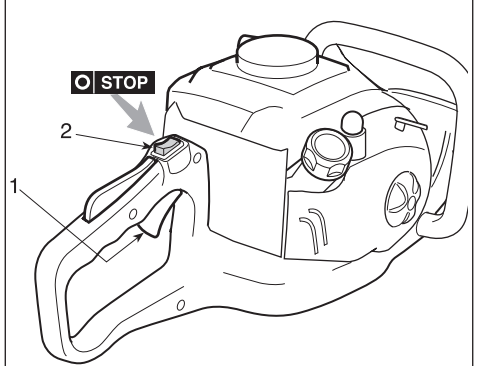
2



3

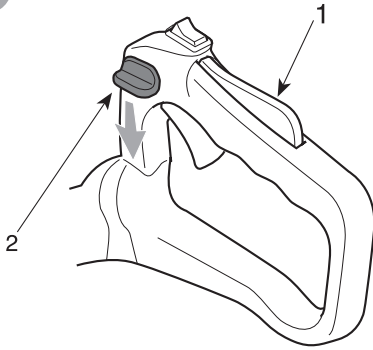


4

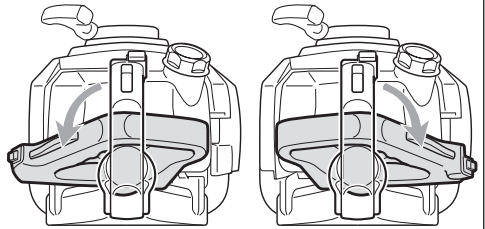
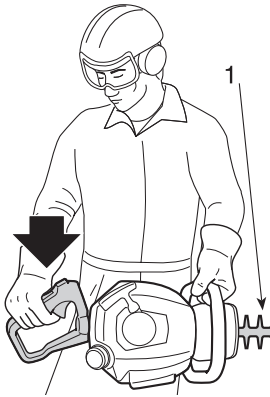
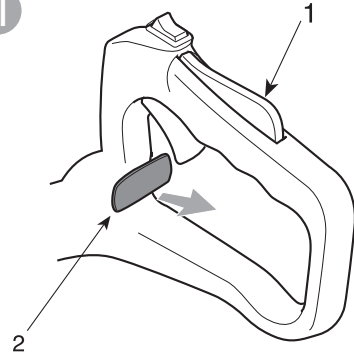


5

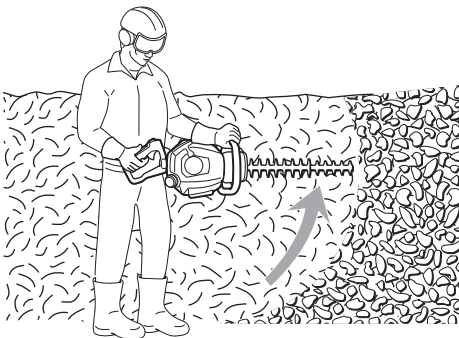
I



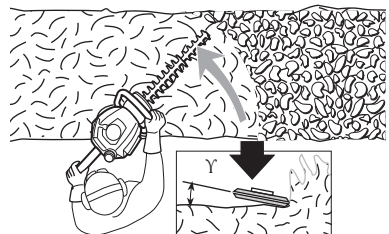
II



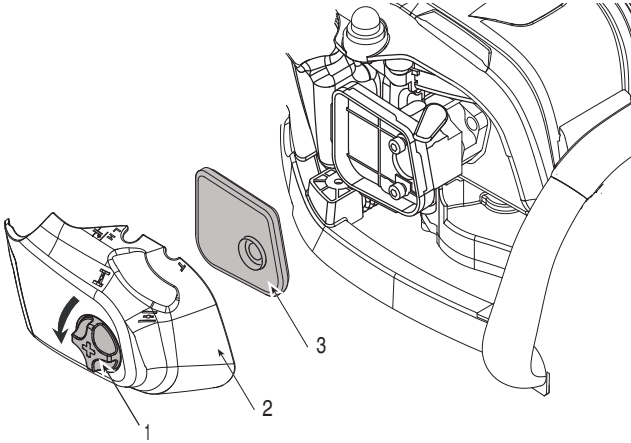
6



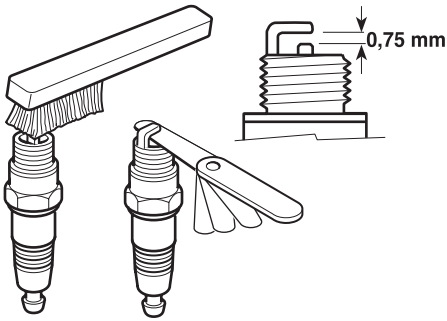
7



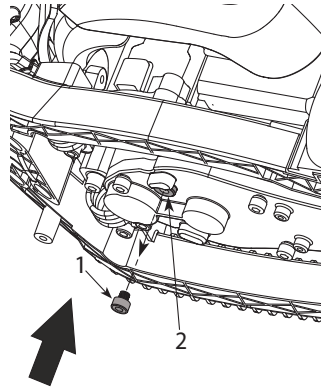
8



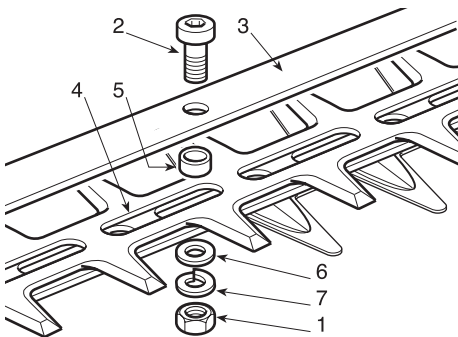
9



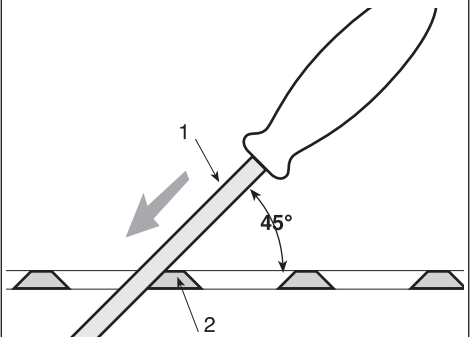
10



11



12



Dear Customer,

thank you for choosing one of our products. We hope that you will be completely satisfied with this machine and that it fully meets your expectations. This manual has been compiled in order to provide you with all the information you need to get acquainted with the machine and use it safely and efficiently. Don't forget that it is an integral part of the machine, so keep it handy so that it can be consulted when necessary, and pass it on to a further user if you resell or loan the machine.

Your new machine has been designed and manufactured in pursuance of current regulations, and is safe and reliable if used in compliance with the instructions provided in this manual (proper use). Using the machine in any other way, or non-compliance with the safety specifications relative to use, maintenance and repair is considered "improper use" which will invalidate the warranty, relieve the manufacturer from all liabilities, and the user will consequently be liable for all and any damage or injury to himself or others.

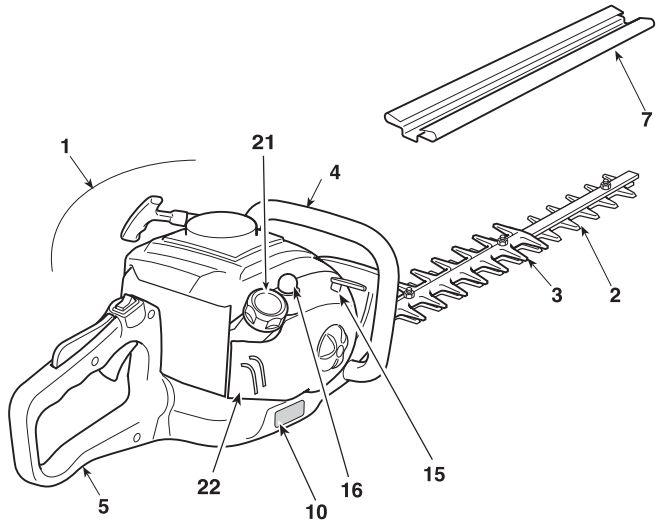
Since improvements are periodically made to our products, you may find slight differences between your machine and the descriptions contained in this manual. Certain modifications can be made to the machine without prior warning and without the obligation to update the manual, although the essential safety and function characteristics will remain unaltered. In case of any doubts, please contact your Retailer. And now enjoy your work!

## TABLE OF CONTENTS

1. Identification of the main components .....	2
2. Symbols .....	3
3. Safety requirements .....	4
4. Preparing to work .....	6
5. How to start - Use - Stop the engine .....	7
6. Using the machine .....	8
7. Maintenance and storage .....	10
8. Troubleshooting .....	12
9. Technical data .....	12

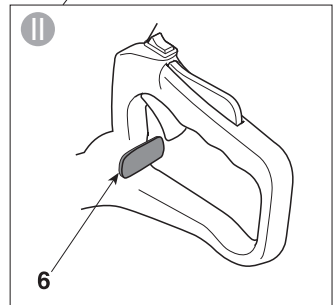
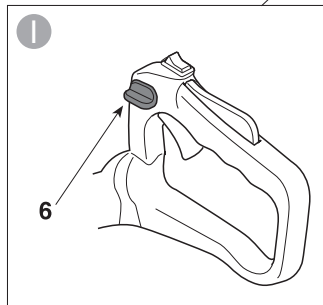
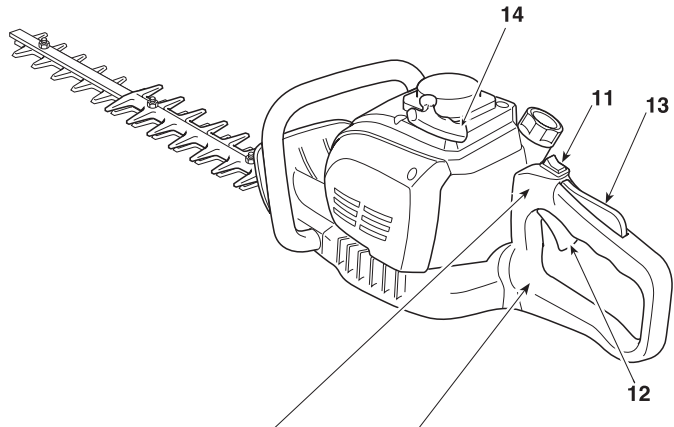
## 1. IDENTIFICATION OF MAIN COMPONENTS

1. Engine
2. Cutting device (blade)
3. Cutter protection plate
4. Front handgrip
5. Rear handgrip
6. Rear handgrip release command
7. Blade protection
10. Registration plate



### CONTROLS AND FILLING POINTS

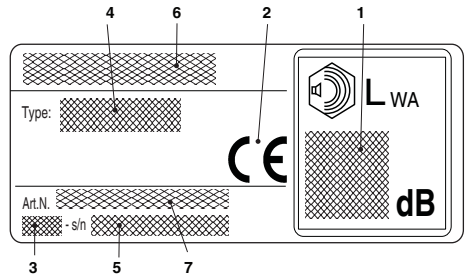
11. Engine stop switch
12. Blade command (Accelerator lever)
13. Accelerator safety lever
14. Starter
15. Choke
16. Primer
21. Fuel tank cap
22. Air cleaner cover





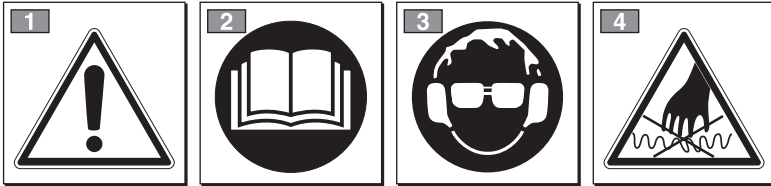
## REGISTRATION PLATE

- 1) Acoustic output level
- 2) Mark of conformity
- 3) Month/Year of manufacture
- 4) Type of machine
- 5) Serial number
- 6) Name and address of the manufacturer
- 7) Article Code



L'esempio della dichiarazione di conformità si trova nelle ultime pagine del manuale.

## 2. SYMBOLS



**WARNING: The machine you have purchased has been manufactured for domestic use.**

- 1) Warning! Danger.
- 2) Read the instruction manual before using the machine.
- 3) Irreversible damage can be caused to your hearing.  
Anyone operating this machine under normal conditions during continuous daily use may be exposed to a noise level equal to or exceeding 85 dB (A).

The operator must wear Personal Protective Equipment (PPE).

Always wear safety goggles and ear protectors while using the machine.

If the operator is working in an area where there is a risk of falling objects, a safety helmet must also be worn.

- 4) The blade is very sharp and you could easily cut yourself.

## EXPLANATORY SYMBOLS ON THE MACHINE (if presents)

11  11) Fuel tank

12  12) Choke

13  13) Primer

### 3. SAFETY REQUIREMENTS

#### A) TRAINING

1) THIS MACHINE MAY CAUSE SERIOUS DAMAGE AND INJURIES. Carefully read the instructions for proper use, preparation, maintenance, start up and stopping of the machine. Become acquainted with the controls and the proper use of the machine. Learn how to stop the engine quickly.

2) Only use the machine for its intended use, that is “**the cutting and trimming of hedges, consisting in plants with small sized branches**”. Any other use may be dangerous and severely damage the machine. Examples of improper use may include, but are not limited to:

- general grass cutting and in particular, near kerbs;
- chopping material for composts;
- pruning;
- using the machine for cutting non-plant material;
- use of the machine by more than one person.

3) Never allow children or persons unfamiliar with these instructions to use the machine. Local regulations may restrict the age of the operator.

4) The machine must never be used by more than one person.

5) Never use the machine:

- when people, especially children or pets are in the vicinity;
- if the user is tired or unwell, or has taken medicine, drugs, alcohol or any substances which may slow his reflexes and compromise his judgement;
- if the user is not capable of holding the machine firmly with two hands and/or of remaining standing on the ground whilst working.

6) Remember that the operator or user is responsible for accidents or hazards occurring to other people or their property.

#### B) PREPARATION

1) Always wear adequate clothing when using the machine which do not hamper movements in any manner.

- Always wear slim-fitting protective clothing, fitted with shear-proof protection devices.
- Always wear protective gloves and eye-goggles and safety anti-shear boots with non-slip soles.
- Always wear ear and hearing protection devices.
- Never wear scarves, shirts, necklaces, or any hanging or flapping accessory that could catch in the machine or in any objects or materials in the work area.
- Tie your hair back if it is long.

2) **WARNING: DANGER!** Fuel is highly flammable:

- keep the fuel in containers which have been specifically manufactured and homologated for such use;
- never smoke when handling fuel;
- slowly open the fuel tank to allow the pressure inside to decrease gradually;
- top up the tank with fuel in the open air, using a tunnel;
- add fuel before starting the engine. Never remove the fuel tank cap or add fuel while the engine is running or when the engine is hot;
- if you have split some fuel, do not attempt to start the engine but move the machine away from the area of spillage and avoid creating any source of ignition until the fuel has evaporated and fuel vapours have dissipated;
- immediately clean up all traces of fuel spilt on the machine or on the ground;
- never start the machine in the same place you refilled it with fuel;
- make sure your clothing does not come into contact with the fuel, on the contrary, change your clothes before starting the engine;
- always put the tank and fuel container caps back on and tighten well.

3) Replace faulty or damaged silencers.

4) Before using the machine, check its general condition and in particular:

- the accelerator lever and the safety lever must move freely, they must not need forcing and should return automatically and rapidly back to the neutral position;
  - the accelerator lever must remain locked until the safety lever is pressed;
  - the engine stop switch must easily move from one position to the other;
  - the electric cables and in particular the spark plug cable must be in perfect condition to avoid the generation of any sparks and the cap must be correctly fitted on the spark plug;
  - the machine handgrips and protection devices must be clean and dry and well fastened to the machine;
  - the blades must never be damaged or in poor condition;
- 5) Before starting your work, make sure that all the protection devices are correctly fitted.

#### C) OPERATION

1) Do not operate the engine in a confined space where dangerous carbon monoxide fumes can collect.

2) Work only in daylight or good artificial light.

3) Take on a firm and well-balanced position:

- where possible avoid working on wet slippery ground or in any case on uneven or ripid ground which does not guarantee stability for the op-

- erator;
- avoid using unstable ladders or platforms;
- never run, but walk carefully paying attention to the lay of the land and any eventual obstacles.
- Always be aware of your surroundings and stay alert for possible hazards of which you may not be aware due to the noise of the hedge trimmer.
- 4) Start the engine when the machine is firmly on the ground and hold it in place with your free hand:
  - start the motor in an area at least 3 metres from where you refuelled;
  - check that there are no persons in the vicinity of the machine;
  - do not direct the silencer and therefore the exhaust fumes towards inflammable materials.
- 5) Exercise caution when near live electric cables.
- 6) Do not change the engine tuning and do not rev the engine excessively at maximum speed.
- 7) Check that when the machine is running at minimum speed and ticking over, there is no movement of the blades and, after accelerating, the engine quickly returns to minimum speed.
- 8) Make sure the blades do not come into violent contact with foreign bodies and try to prevent any material from being hurled after trimming.
- 9) If the cutting mechanism strikes any foreign object or the hedge trimmer starts making any unusual noise or vibration, shut off the power source and allow the hedge trimmer to stop. Disconnect the spark plug wire from the spark plug and take the following steps:
  - inspect for damage;
  - check for and tighten any loose parts;
  - have any damaged parts replaced or repaired with parts having equivalent specifications.
- 10) Stop the engine before:
  - cleaning or when clearing a blockage;
  - checking, carrying out maintenance or working on the hedge trimmer;
  - adjusting the working position of the cutting device;
  - leaving the hedge trimmer unattended.

## D) MAINTENANCE AND STORAGE

- 1) Keep all nuts, bolts and screws tightly fastened to be sure the equipment is in safe working condition. Routine maintenance is essential for safety and for maintaining a high performance level.
- 2) Do not store the machine with fuel in the tank in an area where the fuel vapors could reach an open flame, a spark or a strong heat source
- 3) Allow the engine to cool before storing in any enclosure.
- 4) To reduce fire hazards, keep the engine, exhaust silencer and fuel storage area free from branches, leaves, or excessive grease; never leave containers with the cut debris inside the storage area.
- 5) If the fuel tank has to be emptied, this should be done outdoors once the engine has cooled down.

- 6) Always wear protective gloves when handling the cutting device.
- 7) Make sure the blades are well sharpened. All operations on the blades require a certain level of experience and specialised tools. For safety reasons, take them to a specialised centre to be sharpened.
- 8) For safety reasons, never use the machine with a worn or damaged cutting device or other parts. Damaged parts are to be replaced and never repaired. Only use original spare parts. Parts that are not of the same quality can seriously damage the equipment and compromise safety.
- 9) Store the machine out of the reach of children!

## E) TRANSPORTATION AND HANDLING

- 1) Whenever the machine is to be inspected, handled or transported you must:
  - turn off the engine, wait for the blades to stop, disconnect the spark plug cap and wait until the machine cools down;
  - apply the protection devices to the blades;
  - only hold the machine using the handgrips and position the blades in the opposite direction to that used during operations.
- 2) When using a vehicle to transport the machine, position it so that it can cause no danger to persons and fasten it firmly in place to avoid it from tipping over, which may cause damage or fuel spillage.

## F) HOW TO READ THE MANUAL

Certain paragraphs in the manual contain particularly significant information and are marked with various levels of highlighting with the following meaning:

### NOTE

or

### IMPORTANT

*These give details or further information on what has already been indicated, and aim to prevent both damage to the machine, and the machine from causing damage.*

### WARNING!

*Non-observance will result in the risk of injury to oneself or others.*

### DANGER!

*Non-observance will result in the risk of serious injury or death to oneself or others.*

## 4. PREPARING TO WORK

### CHECKING THE MACHINE

Before starting work please:

- Check that all the screws on the machine and the blade are tightly fastened;
- check that the blades are sharp and there are no signs of any damage;
- check that the air filter is clean;
- check that the protection devices are well fastened and working efficiently;
- check that the handgrips are well fastened

### PREPARING THE FUEL

This machine is fitted with a two-stroke engine which requires a mix of petrol and lubricating oil.

**IMPORTANT** *Using petrol alone will damage the motor and will cause for invalidation of the warranty.*

**IMPORTANT** *Only use quality fuels and oils to maintain high performance and guarantee the duration of the mechanical parts over time.*

#### • Petrol characteristics

Only use unleaded petrol (green petrol) with octane number no less than 90 N.O.

**IMPORTANT** *Unleaded petrol tends to create deposits in the container if preserved for more than 2 months. Always use fresh petrol!*

#### • Oil characteristics

Only use top quality synthetic oil specifically for two-stroke engines.

Your retailer can provide you with oils which have been specifically studied for this type of engine, which are capable of guaranteeing a high level of protection.

The use of these oils makes it possible to prepare a 2.5% mix, consisting in 1 part oil to 40 parts petrol.

#### • Preparation and preservation of the fuel mix

#### **⚠ DANGER!**

- Petrol and the fuel mix are highly inflammable!***
- ***Keep the petrol and fuel mix in homologated fuel containers, in safe place, away from any flames or heat sources.***
  - ***Never leave the containers within the reach of children.***
  - ***Never smoke whilst preparing the mix and avoid inhaling the petrol fumes.***

The chart indicates the amount of petrol and oil to use to prepare the fuel mix according to the type of oil used.

Petrol	Synthetic oil 2-stroke	
	liters	cm <sup>3</sup>
1	0.025	25
2	0.050	50
3	0.075	75
5	0.125	125
10	0.250	250

To prepare the fuel mix:

- Place about half the amount of petrol in a homologated tank.
- Add all the oil, according to the chart.
- Add the rest of the petrol.
- Close the top and shake well.

**IMPORTANT** *The fuel mix tends to age. Do not prepare excessive amounts of the fuel mix to avoid deposits from forming.*

**IMPORTANT** *Keep the petrol and fuel mix containers separate and easily identifiable to avoid the mistake of using one in place of the other.*

**IMPORTANT** *Periodically clean the petrol and fuel mix containers to remove any eventual deposits.*

## REFUELLING

**⚠ DANGER!** *Never smoke whilst refuelling and avoid inhaling the petrol fumes.*

**⚠ WARNING!** *Carefully open the tank top as pressure could have formed inside*

Before refuelling:

- Shake the fuel mix container well.
- Place the machine on a flat stable surface, with the fuel tank cap facing upwards.

- Clean the fuel tank cap and the surrounding area to avoid any dirt from entering the tank during refilling.
- Carefully open the fuel tank cap to allow the pressure inside to decrease gradually. Use a funnel to refill and avoid filling the tank to the brim (Fig. 1).

**⚠ WARNING!** *Always close the fuel tank cap firmly.*

**⚠ WARNING!** *Immediately clean all traces of fuel which may have dripped on the machine or the ground and do not start the engine until the petrol fumes have dissipated.*

## 5. HOW TO START - USE - STOP THE ENGINE

### STARTING THE ENGINE

**⚠ WARNING!** *The engine must be started in an area at least 3 metres from where you refilled the fuel tank.*

Before starting the engine:

- Place the machine firmly on the ground.
- Remove the blade protection devices.
- Make sure the blade is not touching the ground or any other object.
- Make sure the handgrip is locked in the centre position.

#### • Cold start

**NOTE** *A “cold” start of the engine means starting it after at least 5 minutes from when it was switched off or after refuelling.*

To start the engine (Fig. 2):

1. Press switch (1) to position «I».

2. Gently press the bulb (2) on the “primer” 7-10 times until the fuel flows from the exhaust pipe.
3. Turn the starter control lever (3) to the «CHOKE» position.
4. Hold the machine firmly on the ground with one hand on the handgrip, in order not to lose control of the machine during startup.

**⚠ WARNING!** *If the machine is not held firmly, the force of the engine could cause the user to lose his balance or direct the blade towards an obstacle or the same user.*

5. Pull the starter rope slowly for 10 - 15 cm until you feel some resistance, then tug it a few times until you hear the engine turn over.

**IMPORTANT** *To avoid breaking the starter rope, do not pull the whole length of it or let it slide along the edge of the cable guide hole. Release the starter gradually, to avoid letting it fly back uncontrollably.*

6. Pull the starter rope again until the engine starts as normal.
7. Turn the starter control lever (3) to the «RUN» position.
8. Allow the engine to run at minimum speed for at least one minute before accelerating to maximum speed.

**IMPORTANT** *If the handle (4) on the starter wire is pulled repeatedly with the starter control lever (3) in the «CHOKE» position it can flood the engine and make starting difficult.*

If you have flooded the engine, remove the spark plug and gently pull the handle (5) on the starter wire to eliminate any excess fuel; then dry the spark plug electrodes and replace it on the engine.

#### • Hot starting

When hot starting (immediately after stopping the engine), follow the procedure indicated above in points 1 - 4 - 5 - 6.

### USE OF THE ENGINE (Fig. 3)

The speed of the cutting device is regulated by the accelerator lever (1) positioned on the rear handgrip (2).

It is only possible to use this lever if the safety lever (3) is pressed simultaneously.

The movement is transmitted from the engine to the blade by a centrifugal mass clutch that prevents the blade from moving when the engine is running at minimum speed.

**WARNING!** *Do not use the machine if the cutting device moves when the engine is running idle; in this case, contact your dealer.*

The correct running speed will be achieved by pressing the accelerator lever (1) as far as possible.

**IMPORTANT** *Avoid using the engine at full power for the first 6-8 working hours.*

### STOPPING THE ENGINE (Fig. 4)

To stop the engine:

- Release the accelerator lever (1) and allow the

engine to run at minimum speed for a few seconds.

- Press the (2) switch to the «O» position.

**WARNING!** *When the engine is ticking over, it will take a few seconds for the blades to stop.*

**WARNING!** *In the event of an emergency stop, move the switch immediately to the «O» position.*

## 6. USING THE MACHINE

To respect persons and the environment :

- Please try not to cause any disturbance.
- Scrupulously comply with local regulations and provision for disposal of waste materials after trimming.
- Scrupulously comply with local regulations and provision for the disposal of oils, petrol, damaged parts or any element which has a strong impact on the environment.
- Disposal of the packaging should be done in accordance with the local regulations in force.

**WARNING!** *Prolonged exposure to vibrations can cause injuries and neurovascular disorders (also called "Renaud's syndrome" or "white hand"), especially to people suffering from circulation disorders. The symptoms can regard the hands, wrists and fingers and are shown through loss of sensitivity, torpor, itching, pain and discolouring of or structural changes to the skin. These effects can be worsened by low ambient temperatures and/or by gripping the handgrips excessively tightly. If the symptoms occur, the length of time the machine is used must be reduced and a doctor consulted.*

**DANGER!** *This machine's starter unit generates an average sized electromagnetic field, but it is not however possible to exclude the possibility of interference on any active or passive medical devices that operators may be wearing; this could be risky for their health conditions. All those using medical devices should always consult their GP, or the device manufacturer, before using this machine.*

**WARNING!** *Always wearing suitable clothing when using the machine. Your retailer can provide you with all the information on the most suitable accident prevention devices to guarantee your safety at work*

**⚠ WARNING!** *If something breaks or an accident occurs during mowing, turn off the engine immediately and move the machine away to prevent further damage; if an accident occurs with injuries or third parties are injured, carry out the first aid measures most suitable for the situation immediately and contact the medical authorities for any necessary health care. Carefully remove any debris that might cause damage or harm persons or animals should it not be seen.*

### REGULATING THE HANDGRIP (Fig. 5)

The rear handgrip (1) can be adjusted to 3 different positions in relation to the cutting device to make trimming your hedges easier.

**⚠ WARNING!** *The handgrip must only be adjusted when the engine is switched off.*

#### • Type I

- Lower the release lever (2).
- Rotate the rear handgrip (1) to the desired position.
- Before using the machine check that the release lever (2) has correctly returned in the high position, and the rear handgrip is firmly attached.

#### • Type II

- Pull the release lever (2).
- Rotate the rear handgrip (1) to the desired position.
- Before using the machine check that the release lever (2) has correctly returned in the high position, and the rear handgrip is firmly attached.

**⚠ WARNING!** *When working, the rear handgrip must always be in a vertical position, whatever the position of the cutting device (3).*

### CUTTING PROCEDURES

**⚠ WARNING!** *When cutting, always hold the machine firmly with both hands.*

**⚠ WARNING!** *Immediately stop the engine if the blades block while running or if they get caught up in the hedge branches*

It is recommended to trim the two vertical sides of the hedge before trimming the top.

#### • Vertical trimming (Fig. 6)

Proceed to cut by using curved movements from the bottom towards the top, keeping the blade as far from the body as possible.

#### • Horizontal trimming (Fig. 7)

The best results will be obtained with the blade slightly inclined (5° - 10°) in the direction you are cutting, proceed with a curved movement, slowly and without interruptions, especially in the case of very thick hedges.

### LUBRICATING THE BLADES DURING JOBS

If the trimming device overheats whilst working, it is necessary to lubricate the internal surfaces of the blades.

**⚠ WARNING!** *This operation must only be performed when the blades have stopped running and the engine is switched off.*

### END OF OPERATIONS

When you have finished your work:

- Switch off the engine as indicated above (Chap. 5).
- Wait for the blades to stop and replace the protection device.

## 7. MAINTENANCE AND PRESERVATION

Correct maintenance is essential to maintain the original efficiency and safety of the machine over time.

**⚠ WARNING!** *During maintenance operations:*

- *remove the spark plug cap.*
- *Wait until the engine is sufficiently cold.*
- *Use protective gloves when handling the blades.*
- *Keep the blade protection devices on, except when intervening directly on the blade.*
- *Never dispose of oils, fuel or other polluting materials in unauthorised places*

### CLEANING THE ENGINE AND THE SILENCER

To reduce fire risks, periodically clean the cylinder flaps with compressed air and clear the silencer area from branches, leaves or other debris.

### CLEANING THE AIR FILTER

**IMPORTANT** *Cleaning the air filter is essential to guarantee the efficiency and duration of the machine.*

It must be cleaned after every 15 working hours.

To clean the filter (Fig. 8):

- Loose the knob (1), remove the cover (2) and the filter element (3).
- Wash the filter element (3) with soap and water. Do not use petrol or other solvents.
- Leave the filter to dry in the open air.
- Replace the filter element (3) and the cover (2) and tighten the knob (1).

### FUEL FILTER

Inside the fuel tank there is a filter which prevents impurities from entering the engine.

The filter should be replaced once a year by your Retailer.

### CHECKING THE SPARK PLUG

Periodically, remove and clean the spark plug from any eventual deposits using a metal brush.

Check and reset the correct distance between the electrodes (Fig. 9).

Replace the spark plug and fasten it firmly using the supplied key.

The spark plug must be replaced with one with the same characteristics in the cases where the electrodes have burnt or the insulation has worn out, and in any case every 50 working hours.

### TUNING THE CARBURETTOR

The carburettor is tuned by the manufacturer to achieve maximum performance in all situations of use, with a minimum emission of toxic gas in compliance with current specifications.

In the case of poor performance, first check that the blades are not partially blocked or deformed, on the contrary ask your Retailer to check the carburettor and the engine.

- **Tuning minimum speed**

**⚠ WARNING!** *The cutting device must not move when the engine is running idle. If the cutting device moves when the engine is running idle, contact your dealer to correctly regulate the engine.*

### LUBRICATING THE REDUCTION GEAR (Fig. 10)

Every 20 working hours, top up the level with special molybdenum bisulphur lubrication, injecting it, after unscrewing the screw (1), into the lubricator (2), positioned at the bottom of the machine.

### BLADE CLEANING AND CHECK

**⚠ WARNING!** *Periodically check that the blades are not bent or deformed and that the screws are adequately tightened.*

Adjustment of the distance between blades is not necessary, as this is predetermined by the manufacturer.

Cleaning of debris from the inner grooves must be done regularly, as this could impede the blades from turning correctly.

Proceed with cleaning (Fig. 11):

- Loosen the nuts (1), remove the screws (2) and



- the bar (3).
- Carefully remove any dust or debris from the slots (4).
- Lubricate the internal surfaces of the blades.
- Remount the bar (3) with the screws (2), taking care to reposition the spacers accurately (5) and the washers (6) and (7) under the nuts (1).
- Fully tighten the nuts (1).

**⚠ WARNING!** *Always check that the nuts (1) are tightened as far as possible before starting work.*

### SHARPENING THE BLADES

It is necessary to sharpen the blades when the trimming performance decreases and the branches tend to stick together.

**⚠ WARNING!** *Always replace and never repair a blade which has blunt cutting edges*

**IMPORTANT** *We recommend you take your machine to your Retailer for sharpening as he has the required tools and suitable experience.*

In order to sharpen the blades, it is recommended to use a fine grain file and proceed as follows (Fig. 12):

- Place the file (1) on the blade (2) at a 45° angle, and proceed with upward strokes towards the cutting edge.
- Make sure that you put pressure on the file only when stroking upwards and raise it from the blade when you move it back towards you.
- Only remove a smallest amount of material.
- Eliminate any burr with a grinding stone.
- Eliminate all grinding traces and lubricate the blades before reassembling them.

### EXTRAORDINARY INTERVENTIONS

All maintenance operations not foreseen in this manual must be performed exclusively by your Retailer.

All and any operations performed in unauthorised centres or by unqualified persons will totally invalidate the warranty.

### PRESERVATION

After each working session, carefully clean the machine from dust and debris, repair or replace any faulty parts and lubricate the blades to prevent

them from rusting.

The machine must be preserved in a dry area, protected from all weather conditions and with the blade protection device correctly fitted.

### PROLONGED IDLE PERIODS

**IMPORTANT** *If the machine will not be used for a period of more than 2-3 months it is recommended to follow some advice to avoid difficulty when you wish to use the machine and to prevent permanent damage to the engine.*

#### • Storage

Before storing the machine:

- Empty the fuel tank.
- Start the engine and allow it to tick over until it comes to a halt, so that it uses all the fuel that is left in the carburettor.
- Allow the engine to cool down and remove the spark plug.
- Pour a a teaspoon of (new) 2-stroke engine oil into the spark plug slot.
- Pull the starter wire a couple of times to distribute the oil in the cylinder.
- Replace the spark plug with the piston in the dead end upper position (visible from the spark plug slot when the piston is at maximum stroke).

#### • Restarting work

When you wish to start using the machine again:

- Remove the spark plug.
- Pull the starter wire a couple of times to eliminate all excess oil.
- Check the spark plug as described in chapter “Checking the spark plug”.
- Prepare the machine as indicated in the paragraph entitled “Preparing for work”.

**8. IDENTIFICATION OF FAULTS**

<b>PROBLEM</b>	<b>LIKELY CAUSE</b>	<b>SOLUTION</b>
<b>1)</b> The engine will not start or will not keep running	<ul style="list-style-type: none"> <li>- Incorrect starting procedure</li> <li>- Dirty spark plug or incorrect distance between the electrodes</li> <li>- Air filter clogged</li> <li>- Carburation problems</li> </ul>	<ul style="list-style-type: none"> <li>- Follow the instructions (see chap. 5)</li> <li>- Check the spark plug (see chap. 7)</li> <li>- Clean and/or replace the filter (see chap. 7)</li> <li>- Contact your Retailer</li> </ul>
<b>2)</b> The engine starts but is lacking in power	<ul style="list-style-type: none"> <li>- Air filter clogged</li> <li>- Carburation problems</li> </ul>	<ul style="list-style-type: none"> <li>- Clean and/or replace the filter (see chap. 7)</li> <li>- Contact your Retailer</li> </ul>
<b>3)</b> The engine runs irregularly and lacks in power when revved	<ul style="list-style-type: none"> <li>- Dirty spark plug or incorrect distance between the electrodes</li> <li>- Carburation problems</li> </ul>	<ul style="list-style-type: none"> <li>- Check the spark plug (see chap. 7)</li> <li>- Contact your Retailer</li> </ul>
<b>4)</b> The engine gives off an excessive amount of smoke	<ul style="list-style-type: none"> <li>- Incorrect composition of the fuel mix</li> <li>- Carburation problems</li> </ul>	<ul style="list-style-type: none"> <li>- Prepare the fuel mix according to the instructions (see chap. 4)</li> <li>- Contact your Retailer</li> </ul>

**9. TECHNICAL SPECIFICATIONS**

		<b>H 555</b>	<b>H 645</b>	<b>H 655</b>
Capacity	cm <sup>3</sup>	22,5	22,5	22,5
Power	kW	0,65	0,65	0,65
Petrol : Oil ratio		40 : 1	40 : 1	40 : 1
Tank capacity	liters	0,26	0,26	0,26
Trimming length	mm	560	455	560
Weight	kg	5,1	5,1	5,1
Measured sound pressure level at ear's operator	dB(A)	99,5	97,5	99,5
- Measurement uncertainty	dB(A)	3	3	3
Measured sound power level	dB(A)	105,5	105,3	105,5
- Measurement uncertainty	dB(A)	3	3	3
Guaranteed acoustic power level	dB(A)	108	108	108
Vibrations transmitted to the hand on the front handgrip	m/s <sup>2</sup>	3,3	2,6	3,3
- Measurement uncertainty	m/s <sup>2</sup>	1,5	1,5	1,5
Vibrations transmitted to the hand on the rear handgrip	m/s <sup>2</sup>	3,8	2,8	3,8
- Measurement uncertainty	m/s <sup>2</sup>	1,5	1,5	1,5
- Cutting means code		118805310/0	118805311/0	118805309/0

**DICHIARAZIONE CE DI CONFORMITÀ (produttori Originali)**  
(Direttiva Macchine 2006/42/CE, Allegato II, parte A)

1. La Società: **ST. S.p.A. - Via del Lavoro, 6 - 31033 Castelfranco Veneto (TV) - Italy**
2. Dichiamo sotto la propria responsabilità, che la macchina: **Tecnologi portatile a motore, taglia / regolazione: stop**

a) Tipo / Modella Base:

HT 655, HT 845, HT 855

b) Marca/anno di costruzione:

c) Matricola:

d) Motore:

in scappia

3. È conforme alle specifiche delle direttive:

- **MD:** 2006/28/CE
- **a) Ente Certificatore:** /
- **b) Esame CE del tipo:** /
  
- **EMC:** 2004/108/CE, **ANNEX V**  
**D. Lgs. 252/2002, ANNEX V (Italy)**
- **c) Ente Certificatore:** /
  
- **EMC2:** 2014/53/EU
- **RoHS:** 2011/65/EU - 2015/863/EU

4. Riferimento alle Norme armonizzate:

EN ISO 10542:2019  
EN 50581:2012

EN ISO 14992:2009

	HT 655	HT 845	HT 855	dB(A)
a) Livello di potenza sonora massima	105,5	105,3	105,5	dB(A)
b) Livello di potenza sonora garantito	108	108	108	dB(A)
c) Potenza installata	0,65	0,65	0,65	kW

a) Persona autorizzata a compilare il Fascicolo Tecnico:

**ST. S.p.A.**  
**Via del Lavoro, 6**  
**31033 Castelfranco Veneto (TV) - Italia**

o) Castelfranco V.to, 01.09.2019

CEO Stiga Group  
Sean Robinson





**IT** • Il contenuto e le immagini del presente manuale d'uso sono stati realizzati per conto di ST. SpA e sono tutelati da diritto d'autore – E' vietata ogni riproduzione o alterazione anche parziale non autorizzata del documento.

**BG** • Съдържанието и изобразенията в настоящото ръководство са извършени за ST. SpA и са защитени с авторски права – Забранява се всяко неоторизирано възпроизвеждане или промяна, дори и отчасти на документа.

**BS** • Sadržaj i slike iz ovog korisničkog priručnika napravljeni su isključivo za ST. SpA i zaštićeni su autorskim pravima – zabranjena je svaka neovlaštena reprodukcija ili izmjena dokumenta, djelomično ili u potpunosti.

**CS** • Obsah a obrázky v tomto návodu k použití byly zpracovány jménem společnosti ST. SpA a jsou chráněny autorským právem – Reprodukce či nepovolené pozměňování tohoto dokumentu, a to i částečně, je zakázáno.

**DA** • Indhold og illustrationer i denne vejledning er blevet skabt på vegne af ST. SpA og er beskyttet af ophavsret – Enhver gengivelse eller ændring, også delvis, af dokumentet uden autorisation hertil er forbudt.

**DE** • Inhalt und Bilder dieser Bedienungsanleitung wurden im Namen von ST. SpA erstellt und sind urheberrechtlich geschützt – Jede nicht genehmigte Vervielfältigung oder Veränderung, auch auszugsweise, dieses Dokuments ist verboten.

**EL** • Το περιεχόμενο και οι εικόνες στο παρόν εγχειρίδιο χρήσης δημιουργήθηκαν για λογαριασμό της εταιρείας ST. SpA και προστατεύονται από πνευματικά δικαιώματα – Απαγορεύεται οποιαδήποτε αναπαραγωγή ή τροποποίηση, έστω και μερική, του εγχειρίδιου χωρίς έγκριση.

**EN** • The content and images in this User Manual were produced expressly for ST. SpA and are protected by copyright – any unauthorised reproduction or modification to the document, either partially or in full, is prohibited.

**ES** • El contenido y las imágenes del presente manual de uso han sido creados por ST. SpA y están protegidos por los derechos de autor – Se prohíbe toda reproducción o modificación, incluso parcial, no autorizada del documento.

**ET** • Käesoleva kasutusjuhendi sisu ja kujutised on toodetud konkreetselt ettevõttele ST. SpA ja neile rakendud autorikaitseseadus – dokumenti ei igasugune osaline või täielik ilma loata reprodutseerimine või muutmine on keelatud.

**FI** • Tämän käyttöoppaan sisältö ja kuvat on valmistettu ST. SpA -yhtiön toimesta ja niitä suojaa tekijänoikeuslaki. – Asiakirjan kaikenlainen kopioiminen tai muuttaminen, osittainkin, on kielletty ilman erityistä lupaa.

**FR** • Le contenu et les images du présent manuel d'utilisation ont été réalisés pour le compte de ST. SpA et sont protégés par un droit d'auteur - Toute reproduction ou modification non autorisée, même partielle, du document, est interdite.

**HR** • Sadržaj i slike u ovom priručniku za uporabu izrađeni su za tvrtku ST. SpA te su obuhvaćeni autorskim pravima – Zabranjuje se neovlašteno umnožavanje ili prilagodba, djelomična ili u cijelosti, ovog dokumenta.

**HU** • Ennek a használati útmutatónak a tartalma és a benne szereplő képek kizárólag a ST. SpA számára készültek és szerzői joggal védettek – tilos a dokumentum bármely részének vagy egészének engedély nélküli sokszorosítása és módosítása.

**LT** • Šio naudotojų vadovo turinys ir paveikslėliai skirti tik „ST. SpA“ ir yra saugomi autorių teisėmis – dokumentą atgaminti ar modifikuoti, visiškai arba iš dalies, yra draudžiama.

**LV** • Šis lietotāja rokasgrāmatas saturs un attēli ir veidoti tikai ST. SpA un ir aizsargāti ar autortiesībām. Jebkāda dokumenta vai tā daļas prettiesiska kopēšana vai pārveide ir stingri aizliegta.

**МК** • Сadržinata и сликите во Упатството за корисникот се подготвени исклучиво за ST. SpA и се заштитени со авторски права – забрането е секое делумно или целосно неовластено репродуцирање или измена на документот.

**NL** • De inhoud en de afbeeldingen van deze gebruikshandleiding werden gerealiseerd voor rekening van ST. SpA en zijn beschermd door het auteursrecht – Elke niet-geautoriseerde reproductie of wijziging, ook gedeeltelijke, van het document is verboden.

**NO** • Innholdet og bildene i denne brukerveiledningen er utført på oppdrag fra ST. SpA og er beskyttet ved opphavsrett - Enhver gjengivelse eller endring, selv kun delvis, er forbudt.

**PL** • Treść oraz ilustracje zawarte w niniejszej instrukcji obsługi powstały na zlecenie spółki ST. SpA i są chronione prawami autorskimi – Zabrania się wszelkiego kopiowania bądź modyfikowania, także częściowego, niniejszego dokumentu bez uzyskania stosownej zgody.

**PT** • As imagens e os conteúdos contidos no presente Manual do Utilizador foram expressamente criados para uso exclusivo da ST. SpA, encontrando-se protegidos por direitos de autor. Qualquer tipo de reprodução ou alteração, parcial ou integral, não autorizadas deste Manual estão expressamente proibidas.

**RO** • Conținutul și imaginile din manualul de utilizare de față au fost realizate în numele ST. SpA și sunt protejate de drepturi de autor – Este interzisă orice reproducere sau modificare chiar și parțială neautorizată a documentului.

**RU** • Тесты и изображения, содержащиеся в настоящем руководстве, были созданы в интересах ST. SpA и защищены авторскими правами – Любое несанкционированное воспроизведение или изменение документа запрещено.

**SK** • Obsah a obrázky v tomto návode na používanie boli spracované menom spoločnosti ST. SpA a sú chránené autorským právom – Reprodukcie či nepovolené pozměňovanie tohto dokumentu, a to aj čiastočne, je zakázané.



**SL** • Vsebine in slike v tem uporabniškem priručniku so izdelane za podjetje ST. SpA in so zaščitene z avtorskimi pravicami – vsakršno nepooblaščenno razmnoževanje ali spreminjanje dokumenta, v celoti ali delno, je prepovedano.

**SR** • Sadržaj i slike ovog priručnika za upotrebu su napravljeni u ime ST. SpA i zaštićeni su autorskim pravima – Zabranjena je svaka potpuna ili delimična reprodukcija ili izmena dokumenta bez odobrenja.

**SV** • Innehållet och bilderna i denna användarhandbok har framställts för ST. SpA och skyddas av upphovsrätt – all form av reproduktion eller ändring, även partiell, som inte auktoriserats är förbjuden.

**TR** • Bu Kullanıcı Kilavuzundaki içerik ve resimler açığa ST. SpA için üretilmiştir ve telif hakkı ile korunmaktadır – dokümanın izinsiz olarak tamamen ya da kısmen herhangi bir şekilde çoğaltılması ya da değiştirilmesi yasaktır.



	 <b>LWA</b>  <b>dB</b> <b>CE</b>
Type: .....	
Art.N ..... .....-s/n .....	

**ST. S.p.A.**

Via del Lavoro, 6

31033 Castelfranco Veneto (TV) ITALY