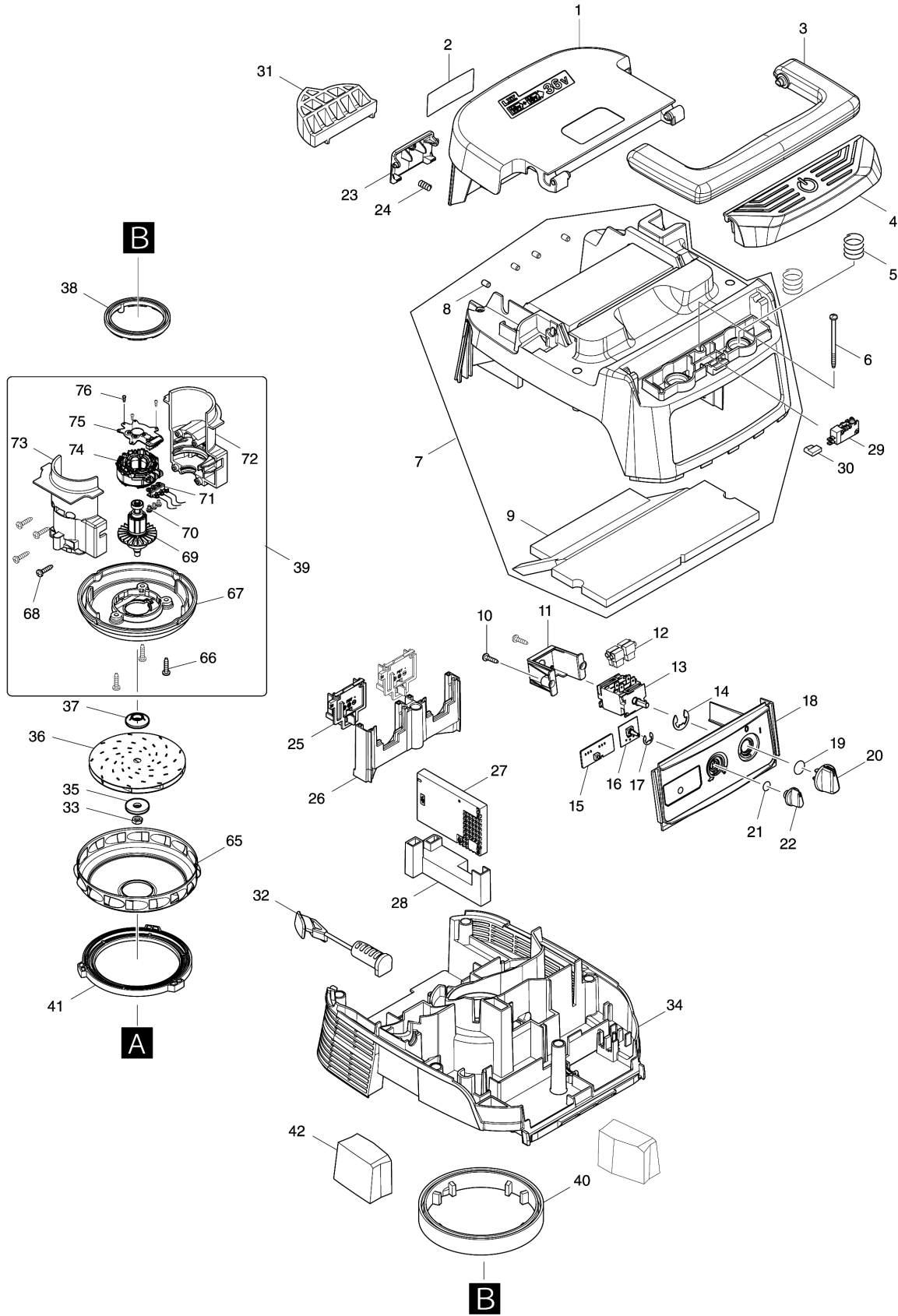
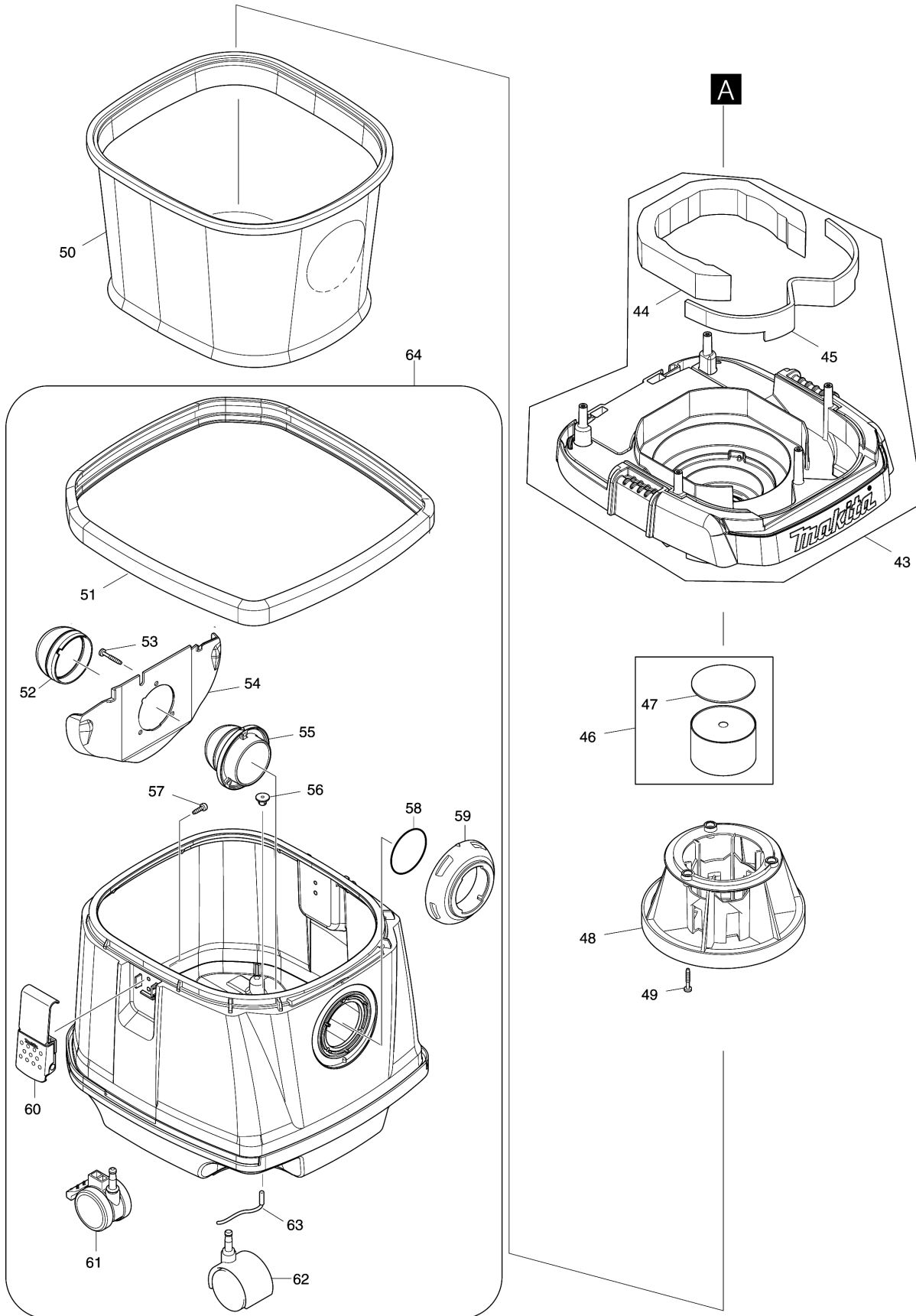


Model No.DVC152L CORDLESS VACUUM CLEANER



Model No.DVC152L CORDLESS VACUUM CLEANER



Model No.DVC152L CORDLESS VACUUM CLEANER

| Položka | Číslo dílu | Popis | Změna | Množství | New/Old | Možnost 1 | Možnost 2 | Poznámka |
|---------|------------|------------------------|-------|----------|---------|-----------|-----------|----------|
| 001 | 143174-5 | BATTERY COVER COMPLETE | | 1 | | | | |
| C10 | 891977-8 | CAUTION LABEL | | 1 | | | | |
| 002 | 855W57-2 | DVC152L NAME PLATE | | 1 | | | | |
| 003 | 455734-4 | GRIP | | 1 | | | | |
| 004 | 459262-1 | SWITCH BUTTON | | 1 | | | | |
| 005 | 234273-5 | COMPRESSION SPRING 20 | | 2 | | | | |
| 006 | 266340-8 | TAPPING SCREW 4X65 | | 6 | | | | |
| 007 | 144409-7 | COWLING COMPLETE | | 1 | | | | |
| D10 | | INC. 8,9 | | | | | | |
| 008 | 263005-3 | RUBBER PIN 6 | | 4 | | | | |
| 009 | 424688-6 | TOP DAMPER | | 1 | | | | |
| 010 | 266326-2 | TAPPING SCREW 4X18 | | 2 | | | | |
| 011 | 451343-7 | SWITCH HOLDER | | 1 | | | | |
| 012 | 686023-8 | RECEPTACLE SLEEVE | | 4 | | | | |
| 013 | 650622-2 | SWITCH | | 1 | | | | |
| 014 | 961062-2 | STOP RING E-12 | | 1 | | | | |
| 015 | 620649-6 | LED CIRCUIT | | 1 | | | | |
| 016 | 631922-9 | SUB CONTROLLER | | 1 | | | | |
| 017 | 961013-5 | STOP RING E-7 | | 1 | | | | |
| 018 | 144479-6 | SWITCH BASE COMPLETE | | 1 | | | | |
| C10 | 812D41-6 | INDICATION LABEL | | 1 | | | | |
| 019 | 213176-6 | O RING 14 | | 1 | | | | |
| 020 | 455733-6 | SWITCH LEVER | | 1 | | | | |
| 021 | 213054-0 | O RING 9 | | 1 | | | | |
| 022 | 451344-5 | SWITCH DIAL | | 1 | | | | |
| 023 | 455728-9 | BATTERY COVER HOOK | | 1 | | | | |
| 024 | 231240-1 | COMPRESSION SPRING 7 | | 1 | | | | |
| 025 | 644808-8 | TERMINAL | | 2 | | | | |
| 026 | 455729-7 | TERMINAL BASE | | 1 | | | | |
| 027 | 620639-9 | CONTROLLER | | 1 | | | | |
| 028 | 457609-3 | CONTROLLER HOLDER | | 1 | | | | |
| 029 | 651910-0 | SWITCH D2VW-01-3HS | | 1 | | | | |
| 030 | 686039-3 | RECEPTACLE SLEEVE | | 1 | | | | |
| 031 | 424981-8 | SPACER | | 1 | | | | |
| 032 | 424980-0 | CAP | | 1 | | | | |
| 033 | 252268-6 | HEX. NUT M6 | | 1 | | | | |
| 034 | 455726-3 | SEPARATER | | 1 | | | | |
| 035 | 253752-4 | FLAT WASHER 8 | | 1 | | | | |
| 036 | 240178-9 | FAN 104 | | 1 | | | | |
| 037 | 313062-2 | FLANGE | | 1 | | | | |
| 038 | 424685-2 | RUBBER RING 60 | | 1 | | | | |
| 039 | 123974-9 | MOTOR ASSEMBLY | | 1 | | | | |

Please order the parts with part number.

Print Date 12/7/2019

Model No.DVC152L CORDLESS VACUUM CLEANER

| Položka | Číslo dílu | Popis | Změna | Množství | New/Old | Možnost 1 | Možnost 2 | Poznámka |
|---------|------------|-----------------------|-------|----------|---------|-----------|-----------|----------|
| D10 | | INC. 66-76 | | | | | | |
| 040 | 424686-0 | RUBBER RING 120 | | 1 | | | | |
| 041 | 424687-8 | SUPPORT RING | | 1 | | | | |
| 042 | 424690-9 | REAR BLOCK FILTER | | 2 | | | | |
| 043 | 143175-3 | TANK COVER COMPLETE | | 1 | | | | |
| D10 | | INC. 44,45 | | | | | | |
| 044 | 424691-7 | BAND DAMPER | | 1 | | | | |
| 045 | 424689-4 | FRONT DAMPER | | 1 | | | | |
| 046 | 158166-1 | FLOAT COMPLETE | | 1 | | | | |
| D10 | | INC. 47 | | | | | | |
| 047 | 423365-7 | SPONGE SEAL 70 | | 1 | | | | |
| 048 | 419725-9 | FLOAT CAGE | | 1 | | | | |
| 049 | 266374-1 | TAPPING SCREW 4X25 | | 3 | | | | |
| 050 | 140248-3 | CLOTH FILTER COMPLETE | | 1 | | | | |
| 051 | 422148-2 | BUMPER | | 1 | | | | |
| 052 | 424382-0 | RUBBER HOLDER | | 1 | | | | |
| 053 | 266257-5 | TAPPING SCREW 4X28 | | 3 | | | | |
| 054 | 419351-4 | HOLDER PLATE | | 1 | | | | |
| 055 | 419350-6 | HOLDER | | 1 | | | | |
| 056 | 421468-1 | CORD SEAL | | 1 | | | | |
| 057 | 266192-7 | TAPPING SCREW 4X14 | | 4 | | | | |
| 058 | 213655-4 | O RING 56 | | 1 | | | | |
| 059 | 451348-7 | INLET | | 1 | | | | |
| 060 | 168537-4 | HOOK | | 2 | | | | |
| 061 | 168535-8 | CASTER 50 | | 2 | | | | |
| 062 | 168434-4 | CASTER 50 | | 2 | | | | |
| 063 | 649150-2 | EARTH LINE 120 | | 1 | | | | |
| 064 | 191B56-7 | TANK ASSEMBLY SET A | | 1 | | | | |
| D10 | | INC. 51-63 | | | | | | |
| 065 | 347171-5 | FAN COVER | | 1 | | | | |
| 066 | 266326-2 | TAPPING SCREW 4X18 | | 3 | | | | |
| 067 | 457486-3 | FAN BASE | | 1 | | | | |
| 068 | 266326-2 | TAPPING SCREW 4X18 | | 4 | | | | |
| 069 | 619431-8 | ROTOR | | 1 | | | | |
| 070 | 652069-6 | FLAT HEAD SCREW M3X6 | | 3 | | | | |
| 071 | 632J83-8 | LEAD UNIT | | 1 | | | | |
| 072 | 183F90-5 | MOTOR HOUSING SET | | 1 | | | | |
| D10 | | INC. 73 | | | | | | |
| 073 | 183F90-5 | MOTOR HOUSING SET | | 1 | | | | |
| D10 | | INC. 72 | | | | | | |
| 074 | 629256-2 | STATOR | | 1 | | | | |
| 075 | 620648-8 | CONTROLLER B | | 1 | | | | |

Please order the parts with part number.

Print Date 12/7/2019

Model No.DVC152L CORDLESS VACUUM CLEANER

| Položka | Číslo dílu | Popis | Změna | Množství | New/Old | Možnost 1 | Možnost 2 | Poznámka |
|---------|------------|--------------------------|-------|----------|---------|-----------|-----------|----------|
| 076 | 266490-9 | TAPPING SCREW PT 2X6 | | 3 | | | | |
| A01 | 122512-4 | NOZZLE ASS'Y 38 | | 1 | | | | |
| C01 | 151449-8 | ROLLER 40 COMPLETE | | 2 | | | | |
| C06 | 415962-3 | ROLLER 14 | | 2 | | | | |
| C11 | 256241-8 | PIN 3 | | 2 | | | | |
| C16 | 265871-4 | TAPPING SCREW BT 4X16 | | 6 | | | | |
| C21 | 154427-7 | ELBOW JOINT COMPLETE | | 1 | | | | |
| C26 | 415965-7 | UPPER NOZZLE | | 1 | | | | |
| C31 | 415964-9 | JOINT HOLDER | | 1 | | | | |
| C36 | 743328-0 | BRUSH | | 1 | | | | |
| C41 | 743327-2 | WIPER | | 1 | | | | |
| A02 | 195434-1 | HOSE COMPLETE 38-2.5 SET | | 1 | | | | |
| C10 | 417191-4 | CUFF LOCK | | 1 | | | | |
| C20 | 417306-3 | SLEEVE | | 2 | | | | |
| C30 | 417307-1 | FRONT CUFF | | 1 | | | | |
| C40 | 417586-1 | STOPPER | | 2 | | | | |
| A03 | 195432-5 | POLY BAG SET(650X650) | | 1 | | | | |
| A04 | 192563-1 | STRAIGHT PIPE SET 565-38 | | 1 | | | | |
| A05 | 192562-3 | BENDING PIPE | | 1 | | | | |
| A06 | 410306-2 | CORNER NOZZLE | | 1 | | | | |
| A07 | 451350-0 | STOPPER | | 1 | | | | |
| A08 | 455732-8 | TOOL BOX | | 1 | | | | |
| A09 | 911138-5 | PAN HEAD SCREW M4X20 | | 1 | | | | |
| E01 | 891978-6 | CAUTION LABEL | | 1 | | | | |

Please order the parts with part number.

Print Date 12/7/2019