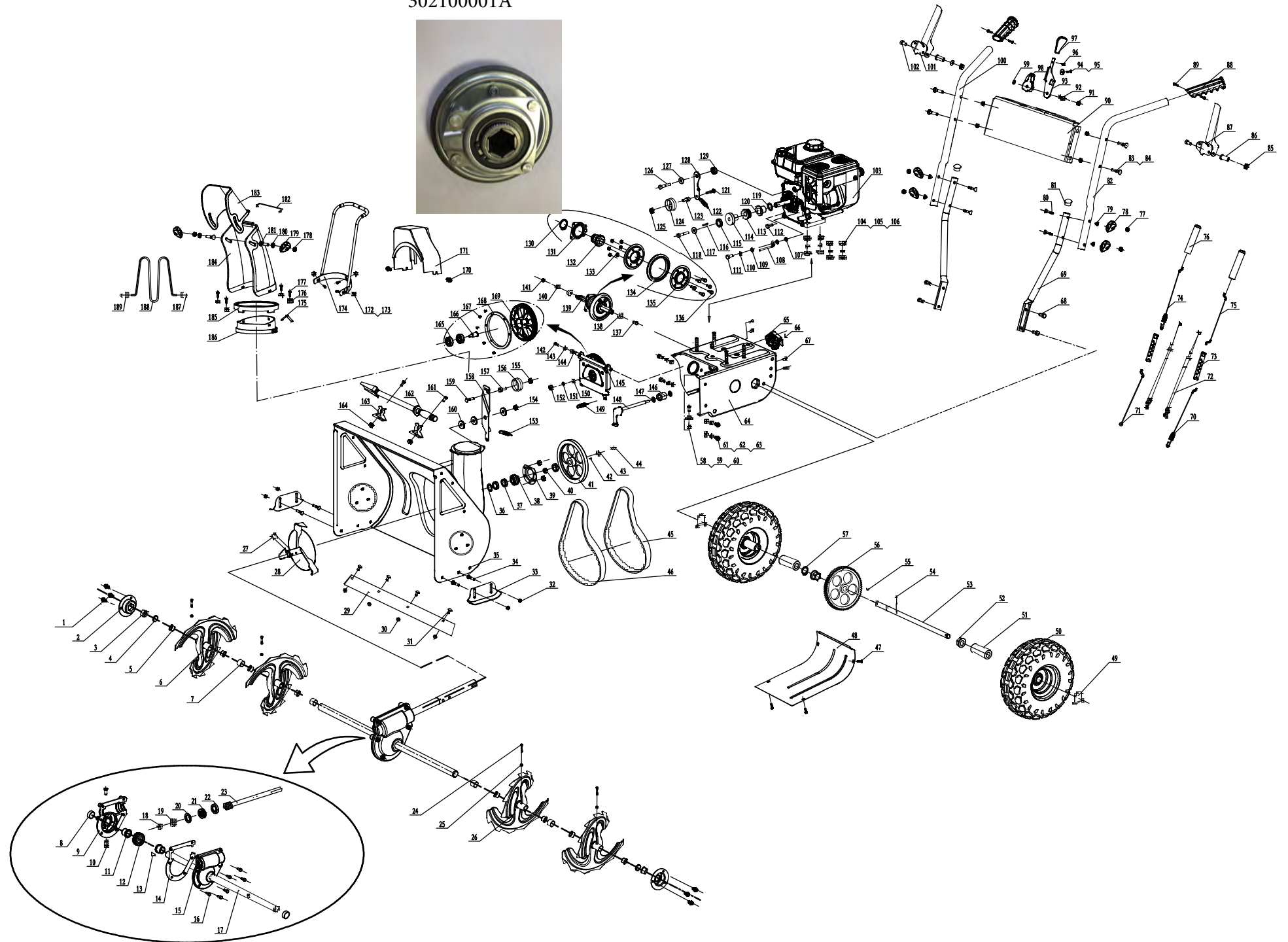


302100001A



Spare parts list for RPS566

Pos no	Reference no	CN Description	English name	QTY
1	GB/T5783-1986	外六角法兰面螺栓	Hex Washer Screw M8x14	6
2	8145-765001	轴承座	Bearing Housing	2
3	8210-765001	塑料轴承	Plastic Bearing	2
4	8101-765106	搅龙用隔套二	Auger Spacer 2	2
5	8334-765001	搅龙轴套	Auger Spacer Shaft Sleeve	8
6	303180409	小双步新右搅龙焊合	Two-Stage New Right Auger Welding	2
6,1	8231-7659011-01	右搅龙叶片	Right Auger Impeller	1
6,2	8231-7659011-02	搅龙中心钢管	Auger Central Steel Pipe	1
7	8101-765105	搅龙用隔套一	Auger Spacer 1	4
8	φ19×φ32×7	骨架密封圈	Grease Plug Φ19×Φ32×7	2
9	303090031	右蜗轮箱	Right Worm Gear Case	1
10	303020142	方头螺栓	Square Head Bolt	2
11	8334-765008	蜗轮轴套	Worm Gear Shaft Sleeve	2
12	303090033	蜗轮	Worm Gear	1
13	GB/T1099-1979	半圆键	Woodruff Key 5x7.5x19	1
14	8208-765002	蜗轮箱密封垫	Flat Washer	1
15	303090032	左蜗轮箱	Left Worm Case	1
16	GB/T5783-1986	外六角法兰面螺栓	Hex Washer Screw M6x18	6
17	8081-765908	小双步22英寸新搅龙轴	Two-Stage 22" New Auger Spacer Shaft	1
18	BC-203709-ST	深沟球轴承	Ball Bearing Gb/T276-1994/6001Z	1
19	BC-203709-ST	深沟球轴承	Ball Bearing Gb/T276-1994/6904Z	1
20	8202-765003	蜗轮箱垫圈	Worm Gear Case Washer	1
21	BK-203510-ST	推力球轴承	Thrust Bearing Gb/T 301-1995/51104	1
22	8208-765003	骨架密封圈	Grease Plug Φ20×Φ35×7	1
23	303160314	蜗杆	Worm	1
24	303160355	安全销	Shear Pin	4
25	8NG-6D	防松螺母（塑胶头）	Nylon Lock Nut M6	4
26	303180410	小双步新左搅龙焊合	Two-Stage New Left Auger Welding	2
26,1	8231-7659010-01	左搅龙叶片	Left Auger Impeller	1
26,1	8231-7659011-02	搅龙中心钢管	Auger Central Steel Pipe	1
27	8PB06-35B	弹性圆柱销	Elastic Cylindrical Pin Φ6×35	2
28	303180702A	风叶焊合	Impeller Welding	1
28, 1	2173-7659C01	风叶底座	Impeller Base	1
28,2	2092-7659C02A	风叶套管	Impeller Casing	1

28,3	2408-7659C02	风叶叶片	Impeller Blade	3
28,4	2231-7651C01	风叶加强筋	Impeller Strengthening Rib	3
29	2226-765901	560小双步铲雪板	560 Two-Stage Snow Shovel	1
30	8NG-8D	法兰面防松螺母（塑胶头）	Nylon Lock Nut Gb/T6182-2000/M8	4
31	8SLJD08-16D	半圆头方颈螺栓	Cup Head Square Bolt Gb/T12-1988/M8×16	4
32	GB/T6182-2000	法兰面防松螺母（塑胶头）	Nylon Lock Nut M8	4
33	8341-765901	小双步滑撬	Skid Shoe	2
34	8SLJD08-16D	半圆头方颈螺栓	Cup Head Square Bolt Gb/T12-1988/M8×18	4
35	2004-7651D01	22英寸 大机座焊接	22" Housing Welding	1
35,1	8006-7651D01-03	左侧板	Left Side Plate	1
35,2	8006-7651D01-01	中间板	Middle Plate	1
35,3	8006-7651D01-02	右侧板	Right Side Plate	1
35,4	8006-7659D01-04	后圆筒	Back Cylinder	1
35,5	8006-765901-05	箱体左固定座	Left Fixed Seat	1
35,6	8006-765901-06	箱体右固定座	Right Fixed Seat	1
35,7	8006-765901-08	小双步出雪筒	Two-Stage Snow Chute	1
35,8	8006-765901-09	小双步固定盘	Two-Stage Fixed Plate	1
35,9	8006-765901-10	小双步固定座	Two-Stage Fixed Seat	1
35, 10	8006-765001-09	大机座焊接螺栓	Welding Bolt	3
35, 11	GB/T6170-2000	普通加厚螺母	Normal Thickening Nut M8	4
35, 12	8006-765001-10	大机座焊接外六角螺栓	Welding Outer Six Angle Bolt M10×20	1
35,13	8101-765005	拉簧支架	Spring Bracket	1
36	8202-765002	搅龙垫圈	Auger Washer Φ20×Φ32×2.5	1
37	8202-765902	垫套	Washer Sleeve	3
38	BH-204731-ST01	外球面球轴承	Ball Bearing Gb/T7810-1995	1
39	8186-765001	轴承压板	Bearing Platen	1
40	GB/T6182-2000	法兰面防松螺母（塑胶头）	Nylon Lock Nut M8	3
41	8122-765901	小双步大三角带轮	Two-Stage Auger Pulley	1
42	GB/T1096-2003	平键	Flat Key C6X18	1
43	8WF-08D	平垫圈GB/T96.1-1985	Flat Washer	1
44	GB/T5783-1986	外六角螺栓M8×25	Hex Washer Screw	1
45	302040032	同步带720（5M144齿,宽15mm）	Synchronous Belt	1
46	302040014	小双步扫雪切边带	Two-Stage V-Belt	1
47	8SFDD06-12D	外六角法兰面三角头螺栓GB/T6564-2000	Hex Washer Screw M6×12	6
48	2025-7659D01	大底板	Large Bottom Plate	1
49	8281-765501	插销组合	Latch Assembly	2

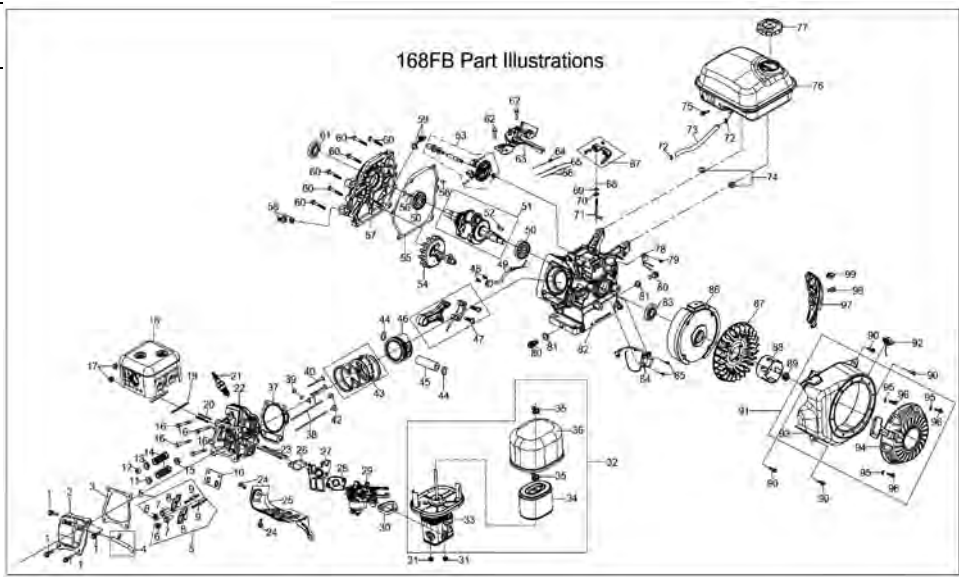
50	8021-765908A	13英寸普通胎总成	13" Normal Wheel	2
51	203050140	轮子隔套	Wheel Spacer	2
52	8334-765503	六方衬套	Six Side Bushing	2
53	8081-765501	小马力轮轴	Small Hp Shaft	1
54	8PB50-30B	弹性圆柱销GB/T879.1-2000	Elastic Cylindrical Pin 5x30	1
55	GB/T1099-1979	半圆键	Woodruff Key 5x7.5x19	1
56	2154-7659D01	大齿轮	Big Gear Wheel	1
57	8CC-19B	轴用挡圈Φ19	Retaining Ring For Shaft	1
58	8206-765004	导向轮螺钉M6	Guide Wheel Screw	1
59	8121-765005	导向轮	Guide Pulley	1
60	8NG-06D	防松螺母GB/T6182-2000	Lock Nut M6	1
61	GB/T5783-1986	外六角螺栓	Hex Washer Screw M8x20	4
62	8WS-08D	弹性垫圈GB/T93-1987	Washer Φ8	4
63	8WF-10D	平垫圈GB/T96.1-1985	Flat Gasket Φ8×Φ18×2	4
64	2030-7659D01	机箱焊合	Frame Welding	1
64.1	2030-7659D01-01	机箱	Frame	1
64.2	8144-765001-02	机箱螺母	Frame Screw	10
64.3	8SFDD08-40D	外六角螺栓GB/T5783-1986	Hex Washer Screw M8x40	4
65	203020362A	拨叉转盘组件	Fork Turntable Assembly	1
66	8PA25-30D	开口销GB/T91-2000	Cotter 2.5x30	1
67	GB/T5783-1986	外六角法兰面螺栓	Hex Washer Screw M6x16	4
68	GB/T5783-1986	外六角法兰面螺栓	Hex Washer Screw M8X20	4
69	2046-7659D03	下扶手	Lower Handle	2
70	303200012	下扫雪拉线总成	Down The Snow Cable Assembly	2
71	303200050	下行走拉线总成	Down The Drive Cable Assembly	1
72	8186-755104	DB7551挡位拉线总成	Db7551 Shift Cabel Assembly	2
73	303070142	调线板	Adjustable Plate	2
74	303200001	行走上拉线总成	Up Drive Cable Assembly	1
75	303200002	上扫雪拉线总成	Up Auger Cable Assembly	1
76	8005-765001	拉线套	Cable Cover	2
77	8NG-08D	螺母GB/T6170-2000	Screw	4
78	8313-501301A	旋钮	Knob	4
79	8WT-08D	凹垫GB/T860-1987	Cupped Washer Φ8	4
80	8SFDD08-45D	T形螺栓GB/T5783-1986	T-Screw M8x45	4
81	8025-755101	堵头	Plug	2
82	2046-7659D01	左上把手	Left Up Handle	1
83	8SLJD08-40D	半圆头方颈螺栓GB/T12-1998	Cup Head Square Bolt M8x40	4
84	8NG-8D	法兰面防松螺母GB/T6182-2000	Lock Nut M8	4

85	8NA-06D01	盖形螺母GB/T93-1987	Screw M6	2
86	8063-755102	扳机固定套(二)	Trigger Ficxe Cover	2
87	8181-710801	左操作板机	Left Operation Trigger	1
88	8063-765701	把手套	Handel Cover	2
89		十字槽盘头自攻螺钉-尖头	Screw	4
90	2232-7651D01	档位面板焊合	Panel Welding	1
90.1		螺栓	Screwm8X45	1
90.2	8181-765005	行走拉线支架	Drive Cable Holder	1
90.3	8181-755103-04	新挂档面板	Panel Support Column	1
91		法兰面防松螺母GB/T6182-2000	Lock Nut M8	1
92	8342-765701	压簧	Pul-Out Piece Spring	1
93	8044-755104	档位扳机	Gear Trigger	1
94	尖头6×30mm	十字槽半圆头自攻螺钉	Screw	1
95	8WF-06D	平垫片	Flat Washer Φ6×Φ22×2	1
96	8SJAB50-14B	十字槽半圆头自攻螺钉ST5×14	Screw Gb/T9074.18-1988	1
97	8063-765704	操纵手把头(窄口)	Operation Handle	1
98	8142-765701	出雪帽转向控制盘	Chute Cap Rotation Control Plate	1
99		平垫片	Flat Washer Φ8×Φ18×2	1
100	2046-7659D02	右上把手	Right Up Handle	1
101	8181-710802	右操作板机	Right Operation Trigger	1
102	8SFDD06-40D	外六角螺栓GB/T5783-1986	Hex Washer Screw M6X40	2
103		宗申168FB	Zs 168Fb Engine	1
104	8NG-08D	普通螺母GB/T6182-2000	Screw M8	4
105	8WS-08D	弹性垫圈GB/T93-1987	Washer Φ8	4
106	8WF-10D	平垫圈 GB/T96.1-1985	Flat Washer Φ8×Φ18×2	4
107	8WO-081505D	齿型垫圈 GB/T97.1-1985	Serrated Washer Φ8	1
108	8343-765901	皮带挡杆	Belt Keeper	1
109	8WF-08D	平垫圈GB/T97.1-1985	Flat Washer Φ8×Φ18×2	2
110	8WS-08D	弹性垫圈GB/T93-1987	Washer Φ8	1
111		外六角螺栓 GB/T5783-1986	Hex Washer Screw M8×30	1
112	303160432	螺钉	Washer	1
113	8122-765001	小同步带轮	Small Synchronous Pulley	1
114	8122-765902	小三角带轮	Small Pulley	1
115	8334-765011	DB7650调整垫	Db7650 Adjustable Washer	1
116	无	平键GB/T1095-2003	Flat Key 4.7×70	1
117	8WF-08D	平垫圈GB/T96.1-1985	Flat Washer Φ8×Φ28×3	1
118	引擎自带	法兰面外六角螺栓GB/T5783-1986	Hex Washer Screw M8×35	1

119	8202-765002	搅龙垫圈	Auger Washer $\Phi 20 \times \Phi 32 \times 2.5$	1
120	8334-765901	同步带轮调整垫	Synchronous Belt Shaft Bushing	1
121	8SLJD08-40D	半圆头方颈螺栓GB/T12-1998	Cup Head Square Bolt M8x40	1
122	8342-765902	摩擦轮支架拉簧	Friction Disc Bracket Ring	1
123	8063-765901	张紧轮套管	Tensioning Wheel Sleeve	1
124		DB8611张紧轮组合	Db8611 Tensioning Wheel Assembly	1
125	303030077	法兰面防松螺母M8	Lock Nut Gb/T6182-2000	1
126	8SFDD08-30D	外六角法兰面螺栓M8x30	Hex Washer Screw Gb/T5783-1986	1
127	8WF-08D	平垫片GB/T96.1-1985	Flat Washer $\Phi 8 \times \Phi 28 \times 3$	1
128	8181-765003	小张紧板	Small Tensioning Plate	1
129	8063-765902	小张紧板隔套	Small Tensioning Plate Bushing	1
130	8CC-35B	轴用挡圈GB/T894.1-1986	Retaining Ring For Shaft $\Phi 35$	1
131	8331-765002	拨叉铆合	Fork Riveting	1
132	8334-765502	轮式六方套	Square Cover	1
133	303030087	法兰面防松螺母M6	Lock Nut Gb/T6182-2000	6
134	302100001	摩擦轮橡胶圈	Friction Disc Rubber Ring	1
135	8024-765008A	摩擦轮夹紧片	Friction Keep Plate	2
136	8SFDD06-12D	外六角法兰面螺栓M6x12	Hex Washer Screw Gb/T5783-1986	6
137	303020105	法兰面外六角螺栓M10x20	Hex Washer Screw Gb/T5783-1986	1
138		带止动槽深沟球轴承6203-ZN	Ball Bearing Gb/T 276-1994	2
139	303160044	轮式六方轴	Wheel Style 6 Square Shaft	1
140	8WF-010D	平垫片 $\phi 10 \times \phi 20 \times 2$	Flat Washer Gb/T96.1-1985	1
141	8NG-10D	防松螺母（塑胶头）M10	Nylon Lock Nut Gb/T6182-2000	1
142	8SFDD06-12D	外六角法兰面螺栓M6x12	Hex Washer Screw Gb/T5783-1986	1
143	8WF-6D	平垫圈GB/T96.1-1985	Flat Washer $\Phi 6 \times \Phi 16 \times 2$	1
144	8063-765008	摩擦轮支架轴套管	Friction Disc Bracket Shaft Bushing	1
145	8292-765006	摩擦轮支架焊合	Friction Disc Bracket Welding	1
145,1	8292-765006-01	支架轴	Support Shaft	1
145,2	8292-765006-02	支架板	Supporting Plate	1
146	8063-765008	摩擦轮支架轴套管	Friction Disc Bracket Shaft Bushing	1
147	8WF-12D	平垫圈 $\phi 12 \times \phi 24 \times 2$	Flat Washer Gb/T96.1-1985	2
148	8087-7659D01	档位拨叉焊合	Gear Shifting Fork	1
148,1	8087-7659D01-01	拨叉轴	Fork Shaft	1
148,2	8087-765001-02	小长轴	Minor Axis	1
148,3	8087-765001-03	拨叉板	Fork Plate	1
149	8342-765902	摩擦轮支架拉簧	Friction Disc Bracket Ring	1

150	8WF-10D	平垫圈φ10×φ22×2	Flat Washer Gb/T96.1-1985	1
151	8WS-10D	弹性垫圈 Φ10	Washer Gb/T93-1987	1
152	8NG-10D	细牙螺母GB/T6170-2000	Nuts - Fine Pitch Threadm10X1	1
153	8342-765903	小双步大张紧板拉簧	Two-Stage Large Tension Spring	1
154	8NG-10D	防松螺母（塑胶头）M10	Nylon Lock Nut Gb/T6182-2000	1
155		法兰面防松螺母（塑胶头）M8	Nylon Lock Nut Gb/T6182-2000	1
156		DB7659张紧轮铆合	Db7659 Tensioning Wheel Riveting	1
157	8063-765901	张紧轮套管	Tensioning Wheel Sleeve	1
158	8181-765901	小双步大张紧板	Two-Stage Big Tensioning Plate	1
159	8SLJD08-40D	半圆头方颈螺栓M8×40	Cup Head Square Bolt Gb/T12-1998	1
160	8WF-10D	平垫片	Flat Washer Φ10×Φ20×2	3
161	8SFDD06-12D	十字槽盘头机用螺栓GB/T5783-1986	Cross Recessed Countersunk Head Bolt M6×12	2
162	8141-765001	塑料清雪铲	Plastic Snow Shovel	1
163	8321-765001	清雪铲支架	Snow Shovel Rack	2
164	303030087	法兰面防松螺母（塑胶头）M6	Nylon Lock Nut Gb/T6182-2000	2
165	BC-174012-ST	深沟球轴承 6203Z	Ball Bearing Gb/T 276-1994	2
166	8086-765003	大同步带轮轴	Synchronous Pulley Shaft	1
167	8SEAD06-10D	十字槽沉头螺钉GB/T819.2-1997	Cross Recessed Countersunk Head Tapping Screwsm6×10	6
168	303090030A	轮圈	Wheel Ring	1
169	8122-765005	大同步带轮	Synchronous Pulley Shaft	1
170	8SFDD06-12D	外六角法兰面三角头螺栓M6×12	Screw Gb/T6564-2000	2
171	2008-7659D02	皮带罩	Belt Cover	1
172	8SFDD06-16D	法兰面外六角螺栓M6×16	Hex Washer Screw Gb/T12-1988	3
173	303030087	法兰面防松螺母（塑胶头）M6	Nylon Lock Nut Gb/T6182-2000	3
174	8292-765903	出雪口摇把焊合	Snow Bucket Rocker Welding	1
174,1	8292-765903-01	支撑圈	Support Ring	1
174,2	8292-765903-02	摇把	Rocker	1
175	8186-765903	锁紧片	Lock Washer	1
176	8NG-04D	尼龙锁紧螺母M4	Nylon Lock Nut Gb/T6182-2000	4
177	8SFDD04-18D	十字槽盘头机用螺钉GB/T5783-1986	Cross Recessed Countersunk Head Bolt M4×18	4
178	8NG-08D	加厚普通螺母GB/T6170-2000	Thickening Normal Nut	2
179	8313-501301A	旋钮	Knob	2
180	8WF-10D	平垫圈GB/T96.1-1985	Flat Washer Φ8×Φ18×2	2
181	8SLJD08-30D	方颈螺栓GB/T12-1998	Square Bolt M8×30	2
182	8087-501201	出雪口连接销	Chute Connection Pin	1
183	8104-501202	上出雪筒	Up Chute	1
184	8104-501203	中出雪筒	Middle Chute	1
185	8144-765904	转环	Ring	1
186	8144-765903	旋转盘	Rotating Disc	1
187	306010034	卡扣	Fastener	2

188	8292-765904	安全支架	Safety Bracket	1
189	8204-711001	安全支架橡胶圈	Safety Support Rubber Ring	2



168FB PART LIST (168FB零件明细表)

序号 No.	零部件编码 Part No.	零部件名称 Chinese Name	英文名称 Description	数量 Quantity
1	100011264-0003	GB5789螺栓M6×16(兰白锌)	Bolt, M6×16	4
2	100002316	170F缸头盖(O型圈)	Valve Cover	1
3	100010178	168FA缸头盖密封垫(改型_无石棉_厚1)	Gasket, Valve Cover	1
4	100002833	168FA废气管(φ8×φ12×85_带卡箍)	Breather Hose	1
5	100004420	168FA摇臂组合(细牙0.5)	Rocker Arm Assembly	2
6	100004489	168FA气门锁紧螺母(细牙0.5)	Lock Nut	2
7	100004458	168FA气门间隙调节螺母(细牙0.5)	Adjust Nut	2
8	100004437	168FA气门摇臂	Rocker Arm	2
9	100004493	168FA摇臂座定位螺栓(细牙0.5)	Stud	2
10	100004469	168FA摇臂座	Rocker Arm Base	1
11	100004580	168FA进气门弹簧座	Valve Spring Seat	1
12	100004588	168FA排气门调节帽	Valve Adjust Cap, Exhaust	1
13	100004585	168FA排气门弹簧座	Valve Spring Seat	1
14	100004564	168FA气门弹簧	Valve Spring	2
15	100004600	168FA-2挡油罩组合	Intake Valve Seal	1
16	100002462-0001	168FA缸头螺栓(M8×60_兰白锌)	Bolt, M8×60	4
17	100011422-0004	GB6170螺母M8(兰白锌)_8级	Nut, M8	2
18	100006282	168FA排气消声器(技改型)	Muffler	1
19	100006526	168FA消声器垫(无石棉)	Gasket, Muffler	1
20	100010387	168FA缸头排气口双头螺栓(M8×34)	Stud, M8×34	2
21	100009376	168FA火花塞(F7TC_整体式)	Spark Plug	1
22	100002382	168FB缸头组合	Cylinder Head	1
23	100010352	168FA进气管双头螺栓(M6×113)	Stud, M6×113	2
24	100011260-0005	GB5789螺栓M6×10(兰白锌)	Bolt, M6×10	2
25	100007083	168FA导流罩(厚0.8)	Shroud	1
26	100005559	168FA化油器隔热板垫(无石棉)	Gasket, Carburetor Insulator	1
27	100005599	168FA化油器隔热板	Insulator	1
28	100005922	168FA化油器垫(无石棉)	Gasket, Carburetor	1
29	100005294	168FB化油器总成	Carburetor	1
30	100005629	168FA化油器衬垫	Gasket, Carburetor	1
31	100011452-0003	GB6177.1螺母M6(兰白锌)	Nut, M6	2
32	100004669	168FA空滤器总成(技改型)	Air Filter Assembly	1
33	100004993	168FA空滤器底座	Air Filter Base	1
34	100004766	168FA空滤器滤芯	Air Filter Element	1
35	100005079	168FA空滤器蝶型螺母	Butterfly Nut	2
36	100004840	168FA空滤器盖(技改型)	Air Filter Cover	1
37	100010210	168FB缸头密封垫(汽缸床_1Cr17Ni7)	Gasket, Cylinder Head	1
38	100004395	168FA推杆(整体式)	Push Rod	2
39	100010558	定位销φ10×16	Pin, φ10×16	2
40	1000057969	168FA-2排气门(机组_带除碳槽)	Exhaust Valve	1
41	100004522	168FA进气门	Intake Valve	1
42	100004262	168FB气门挺柱	Tappet	2
43	100003237	168FA活塞环总成	Piston Ring Set	1

44	100003221	168FA活塞销挡圈	Circlip	2
45	100003120	168FA活塞销	Piston Pin	1
46	100003077	168FB活塞	Piston	1
47	100003442	168FA连杆三组件	Connecting Rod Assembly	1
48	100011264-0003	GB5789螺栓M6×16(兰白锌)	Bolt, M6×16	2
49	100010011	168FA机油传感器(感应式)	Oil Sensor	1
50	100010680	轴承(6205)	Bearing, 6205	2
51	100003695	168FB曲轴总成(40Cr_01型)	Crankshaft	1
52	100010578	168FA曲轴半圆键	Woodruff Key	1
53	100008296	170-SH调速从动齿轮组合(改型)	Governor Gear	1
54	100004291	168FB凸轮轴部件(球铁_含减压阀_专利款)	Camshaft	1
55	100010146	168FA曲轴箱密封垫(无石棉)	Gasket, Crankcase	1
56	100010550	定位销φ8×14	Pin, φ8×14	2
57	100002956	168FA曲轴箱盖(01型)	Crankcase Cover	1
58	100004171-0002	170F机油塞组合(2913色)	Oil Plug	1
59	100004105-0005	161F机油尺组合(2913色)	Dipstick	1
60	100011319-0001	GB5789螺栓M8×32(兰白锌)	Bolt, M8×32	6
61	100017651	油封(φ25×φ41.25×6 丙烯酸脂 螺旋纹)	Oil Seal, φ25×φ41.25×6	1
62	100011215-0001	小盘螺栓M6×12(兰白锌)	Bolt, M6×12	2
63	100008100	168FA油门操纵组合(01型)	Governor Gear Bracket Assembly	1
64	100007850	168FB油门大拉簧(弹簧钢丝_长118_圈数16.75_刚度1.0)	Governor Spring	1
65	100007920	168FA油门小拉簧(长113_圈数50.5_刚度0.03)	Idle Spring	1
66	100007947	168FA油门操纵杆	Throttle Linkage	1
67	100039298	170F油门支架组合(3个大拉簧挂孔_BT款专用)	Governor Lever	1
68	100007986	168FA油门调速柄开口销	Cotter Pin	1
69	100017630	油封(φ6×φ11×4 丙烯酸脂)	Oil Seal, φ6×φ11×4	1
70	100010113	O型密封圈(φ5.2×1.9 氟橡胶)	O-Ring, φ5.2×1.9	1
71	100007975	170F油门调速柄	Governor Gear Shaft	1
72	100005137	168FA油管卡箍(常规)	Clamp	2
73	100017788	复合油管(φ4×φ8×155)	Fuel Hose, φ4×φ8×155	1
74	100011452-0003	GB6177.1螺母M6(兰白锌)	Nut, M6	2
75	100011269-0003	GB5789螺栓M6×28(兰白锌)	Bolt, M6×28	1
76	100008563-0002	168FA油箱总成(技改型_油口改进型_2010色)	Fuel Tank	1
77	100008767	168FA油箱盖组合(金属盖)	Fuel Cap	1
78	100010040	168FA机油报警器保护放大器(两线)	Oil Sensor	1
79	100011261-0004	GB5789螺栓M6×12(兰白锌)	Bolt, M6×12	1
80	100010272	168FA放油螺栓(M10×1.25×15)	Earth Bolt	2
81	100010459	平垫圈(φ10×1.5×φ16)	Washer, φ10×1.5×φ16	2
82	100002644	168FB曲轴箱体(有孔)	Crankcase	1
83	100017644	油封(φ25×φ41.25×6 丙烯酸脂)	Oil Seal, φ25×φ41.25×6	1
84	100009240	168FA点火器组合(整体式)	Ignition Module	1
85	100011268-0003	GB5789螺栓M6×25(兰白锌)	Bolt, M6×25	2
86	100009503	168FA飞轮组合(无齿圈_无磁钢)	Flywheel	1
87	100007028	168FA叶轮(高27_02型)	Cooling Fan	1
88	100007551	168FA启动引轮(带缺口_高47)	Starter Cup	1
89	100011459-0003	GB6177螺母M14×1.5(兰白锌)	Nut, M14×1.5	1
90	100011262-0003	GB5789螺栓M6×14(兰白锌)	Bolt, M6×14	4
91	100007226-0005	168FA启动器总成(技改型_12_1.15M_2010色)	Recoil Starter	1
92	100009166-0001	168FA熄火开关总成(带接地线_带限位_1902色)	Stop Switch	1
93	100007614-0003	168FA启动器风扇罩(技改型_2010色)	Blower Housing	1
94	100007365-0003	168FA启动器拉盘组合(技改型_2010色)	Recoil Starter	1
95	100010894-0001	GB95平垫圈φ6(兰白锌)	Washer, φ6	3
96	100011528-0004	GB16674小盘螺栓M6×10(兰白锌)	Bolt, M6×10	3
97	100007053	168FA下护罩(有孔)	Lower Shield	1
98	100011266-0004	GB5789螺栓M6×20(兰白锌)	Bolt, M6×20	1
99	100000669	168FA线夹	Clip	1